

Rotary actuator in connection with a mounting kit for the motorisation of the most common mixing valves in HVAC systems

- Torque 10 Nm
- Nominal voltage AC 230 V
- Control: Open/close or 3-point
- Auxiliary switch


Technical data

Electrical data	Nominal voltage	AC 230 V, 50/60 Hz	
	Power supply range	AC 198 ... 264 V	
	Power consumption	In operation	3.5 W at nominal torque
		For wire sizing	3.5 VA
	Auxiliary switch	1 SPDT, 5 (1) A, AC 250 V II <input type="checkbox"/> Adjustable switching point, 0 ... 100% \triangleleft (Factory setting 100% \triangleleft)	
	Connecting cable	Motor	1 m, 3 x 0,75 mm ²
		Auxiliary switch	1 m, 3 x 0,75 mm ²
Parallel connection	No		
Functional data	Torque (nominal torque)	Min. 10 Nm at nominal voltage	
	Position accuracy	±5%	
	Manual override	Temporary and permanent disengagement of the gearing latch by means of the rotary knob on the housing	
	Running time	140 s / 90° \triangleleft	
	Sound power level	Max. 35 dB (A)	
	Position indication	Reversible scale plate 0 ... 1	
	Safety	Protection class	II Totally insulated <input type="checkbox"/>
Degree of protection		IP40	
EMC		CE according to 89/336/EEC	
Low voltage direction		CE according to 73/23/EEC	
Mode of operation		Type 1.B (to EN 60730-1)	
Rated impulse voltage		4 kV (to EN 60730-1)	
Control pollution degree		3 (to EN 60730-1)	
Ambient temperature range		0 ... +50 °C (Duty cycle 140/35 s)	
Media temperature		+5 ... +120 °C (in mixing body)	
Non-operating temperature		-30 ... +80 °C	
Ambient humidity range		95% r.H., non-condensating (to EN 60730-1)	
Maintenance	Maintenance-free		
Dimensions / Weight	Dimensions	See «Dimensions» on page 2	
	Weight	Approx. 500 g	

Safety notes


- The actuator has been designed for use in stationary heating, ventilation and air conditioning systems and is not allowed to be used outside the specified field of application, especially in aircraft or in any other airborne means of transport.
- **Caution: Power supply voltage!**
- It may only be installed by suitably trained personnel.
All applicable legal or institutional installation regulations must be complied with.
- The actuator must be protected against moistness. It is not suitable for use in outdoor applications.
- Check that the strain relief of the cable in the actuator housing functions correctly.
- The installer has to check the right functioning after mounting.
- The device does not contain any parts that can be replaced or repaired by the user.
- To calculate the torque required, the specifications supplied by the mixing valve manufacturer must be observed.
- The device contains electrical and electronic components and is not allowed to be disposed of as household refuse. All locally valid regulations and requirements must be observed.

Product features

- Simple direct mounting** Straightforward direct mounting with only one screw. The mounting position in relation to the mixing valve can be selected in 90° ↺ steps.
- Manual operation** Manual operation possible by lever (temporary disengagement of the gearing latch by pressing, permanent disengagement by means of the rotary knob on the housing).
- Functional reliability** The actuator switches off automatically when the end stops are reached.

Accessories

Description

Mechanical accessories Mounting kits for ESBE, Termomix, Pommerening, Dumserwerk, Lovato, Landis & Staefa, Lazzari, Oventrop, Meibes, Wita, Holter, Satchwell and Centra mixing valves.

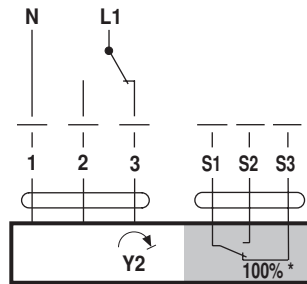
Electrical installation

Wiring diagrams

Note
Caution: Power supply voltage!

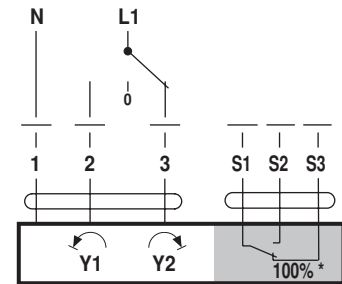


Open-close control



* Factory setting

3-point control

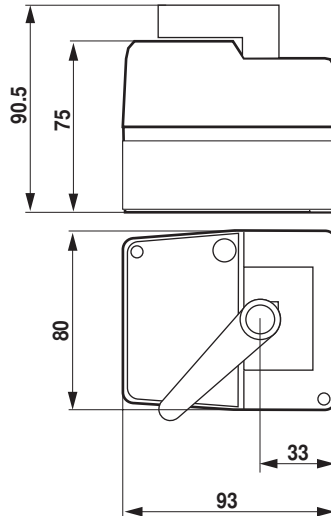


Cable colours:

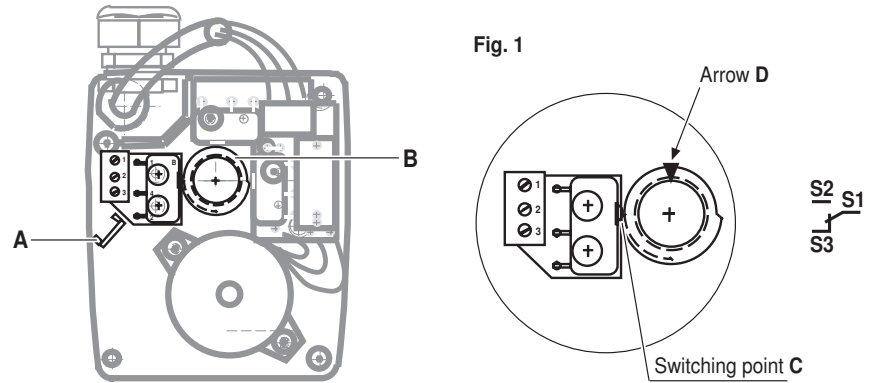
- 1 = blue
- 2 = brown
- 3 = white
- S1 = white
- S2 = white
- S3 = white

Dimensions [mm]

Dimensional diagrams



Adjusting auxiliary switch

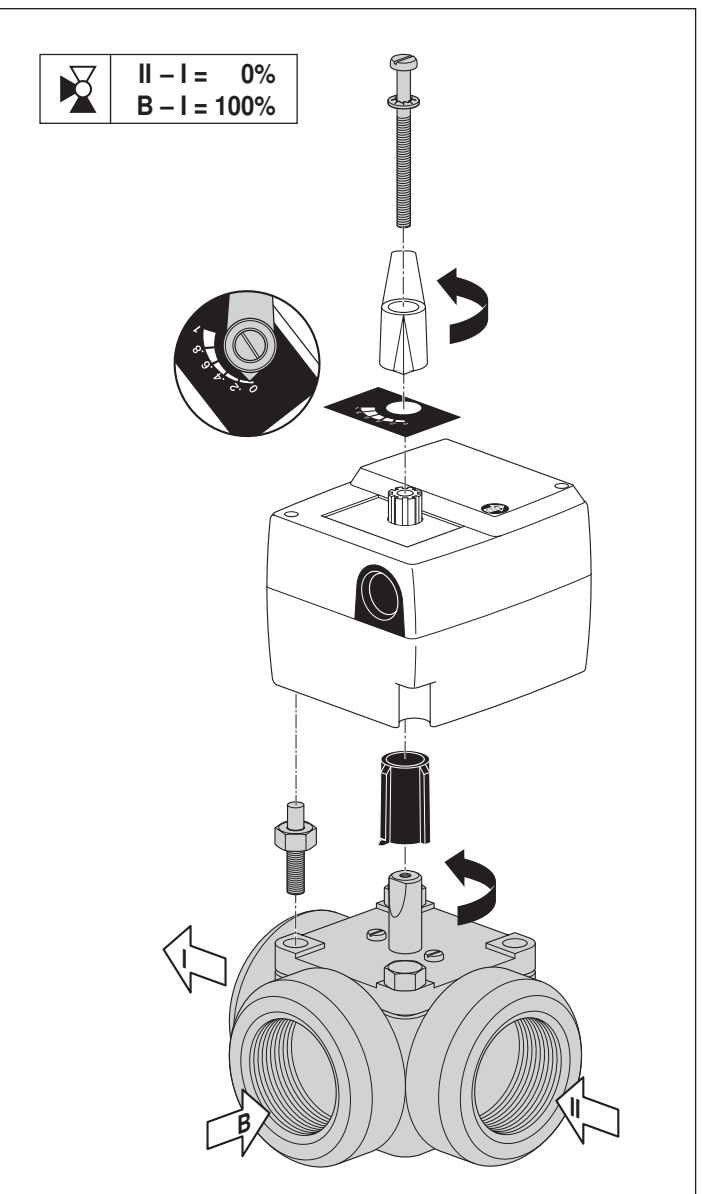
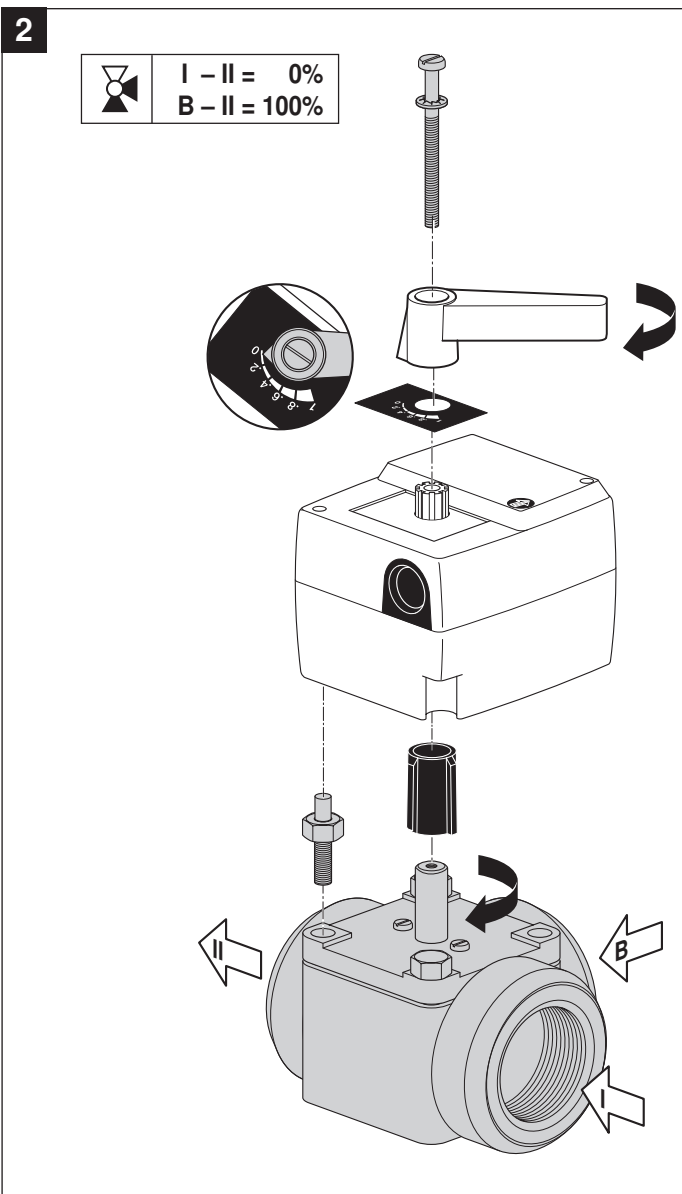
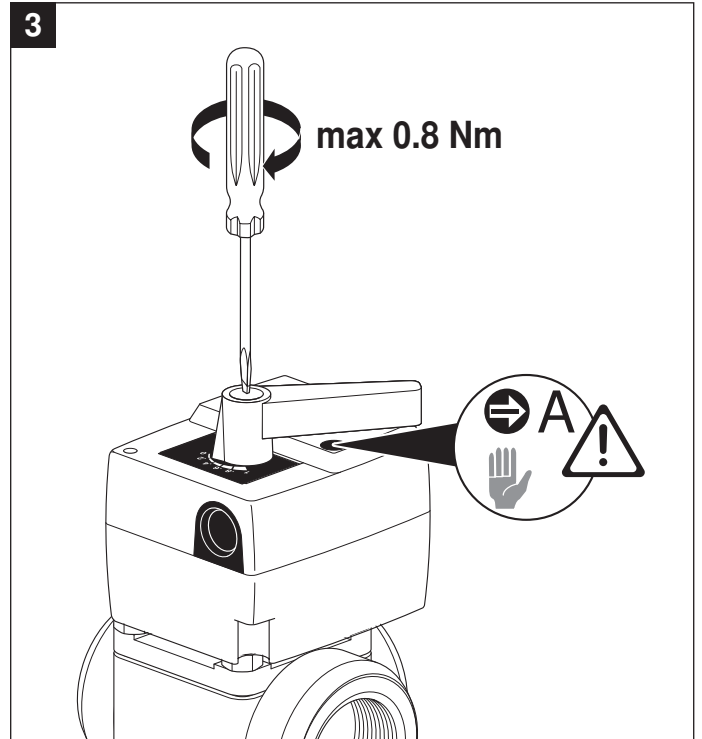
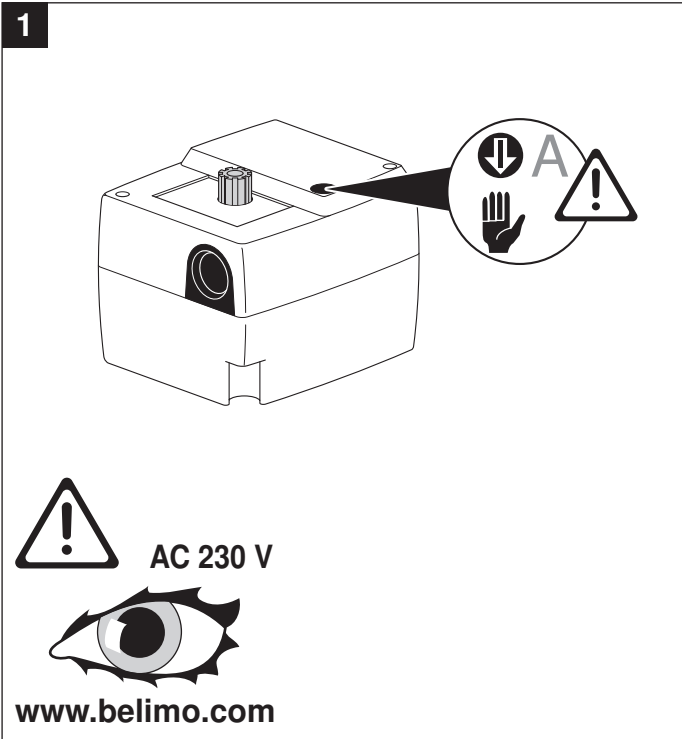


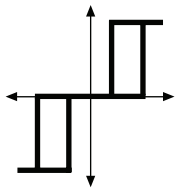
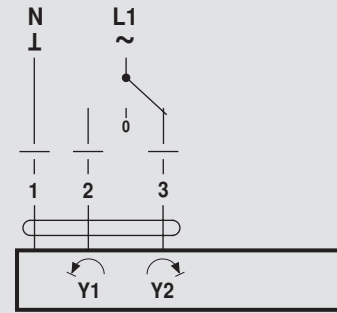
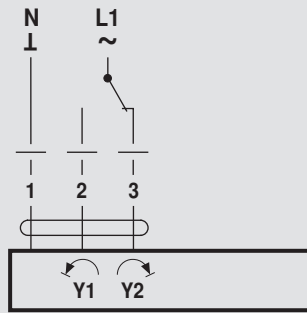
1. Remove the cover of the housing.
2. Press down the manual disengagement **A** on the actuator and turn the actuator into the required switching position of the auxiliary switch by means of the lever.
3. Insert the cam ring **B** as shown in Fig. 1, so that the switching point **C** just about operates the switch. Connection S1–S2 is switched (the arrow **D** is now at the top).
4. Assemble the cover of the housing.

Dismounting the housing cover

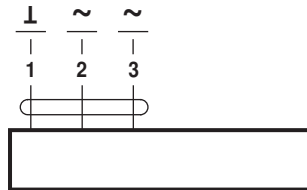
Loosen the central screw at the black lever and remove the two Phillips screws of the housing cover.

70722-00001.B

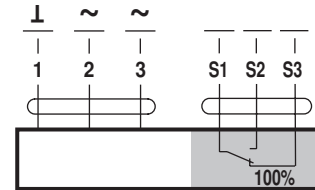




AC 24 V

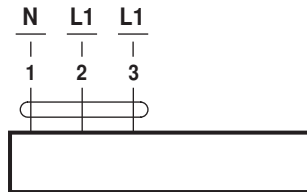


HT..24-3-T

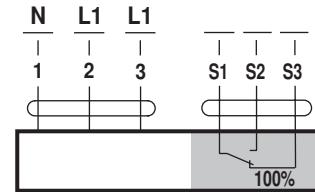


HT..24-3-S

AC 230 V



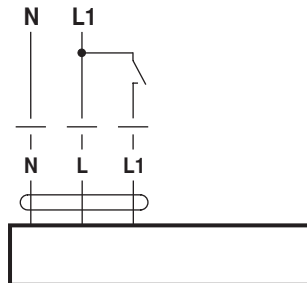
HT..230-3-T



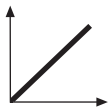
HT..230-3-S



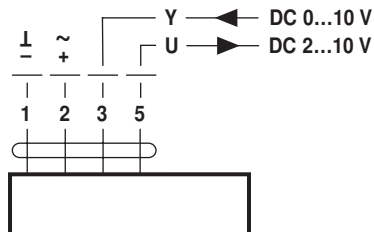
AC 230 V



HT..230-1-T



AC 24 V / DC 24 V



HT..24-SR-T



AC 230 V



www.belimo.com