

Short stroke actuator for the motorisation of Cazzaniga and Siemens short stroke valves in HVAC systems

- Nominal stroke max. 5.5 mm
- Actuation force 500 Nm
- Nominal voltage AC 230 V
- Control: Open/close or 3-point


**Overview of types**

Valve					Actuator
Manufacturer	Sort	Type	DN [mm]	k <sub>vs</sub> [m <sup>3</sup> /h]	Type
Cazzaniga	2-way	V02BM.. LN	15 ... 40	3.9 ... 14.5	NRDVX230-3-T-CA
	3-way	V03BM.. LN	15 ... 40	3.9 ... 14.5	
Siemens	2-way	VVG44..	15 ... 40	0.25 ... 25	NRDVX230-3-T-SI
	2-way	VVI52..	15	0.25 ... 2,5	
	3-way	VXG44..	15 ... 40	0.25 ... 25	

**Technical data**

<b>Electrical data</b>	Nominal voltage	AC 230 V, 50/60 Hz / DC 24 V	
	Power supply range	AC 198 ... 264 V	
	Power consumption	In operation	3.5 W at nominal torque
		For wire sizing	3.5 VA
	Connection	Terminals 4 mm <sup>2</sup> (cable Ø 6 ... 8 mm, three-core)	
	Parallel connection	Yes (Note performance data for supply!)	
<b>Functional data</b>	Actuation force	500 N	
	Position accuracy	±5%	
	Manual override	Temporary and permanent disengagement of the gearing latch by means of the rotary knob on the housing	
	Nominal stroke	5.5 mm	
	Running time	140 s / 5.5 mm	
	Sound power level	Max. 35 dB (A)	
	Position indication	Scale plate 0 ... 1	
<b>Safety</b>	Protection class	II Totally insulated <input type="checkbox"/>	
	Degree of protection	IP40	
	EMC	CE according to 89/336/EEC	
	Low voltage direction	CE according to 73/23/EEC	
	Mode of operation	Type 1 (to EN 60730-1)	
	Rated impulse voltage	4 kV (to EN 60730-1)	
	Control pollution degree	3 (to EN 60730-1)	
	Ambient temperature range	0 ... +50 °C (Duty cycle 140/35 s)	
	Media temperature	+5 ... +100 °C (in valve)	
	Non-operating temperature	-30 ... +80 °C	
	Ambient humidity range	95% r.H., non-condensating (to EN 60730-1)	
	Maintenance	Maintenance-free	
	<b>Dimensions / Weight</b>	Dimensions	See «Dimensions» on page 2
Weight		Approx. 500 g	

## Safety notes



- The actuator has been designed for use in stationary heating, ventilation and air conditioning systems and is not allowed to be used outside the specified field of application, especially in aircraft or in any other airborne means of transport.
- Caution: Power supply voltage!
- It may only be installed by suitably trained personnel.
- All applicable legal or institutional installation regulations must be complied with.
- The actuator must be protected against moistness. It is not suitable for use in outdoor applications.
- Check that the strain relief of the cable in the actuator housing functions correctly.
- The installer has to check the right functioning after mounting.
- The device does not contain any parts that can be replaced or repaired by the user.
- The device contains electrical and electronic components and is not allowed to be disposed of as household refuse. All locally valid regulations and requirements must be observed.

## Product features

<b>Simple direct mounting</b>	Straightforward direct mounting on the valve with only one knurled nut.
<b>Manual operation</b>	Manual operation possible by lever (temporary disengagement of the gearing latch by pressing, permanent disengagement by means of the rotary knob on the housing).
<b>Functional reliability</b>	The actuator is overload-proof and automatically stops when the end stops are reached.

## Accessories

	Description	Data sheet
Electrical accessories	Auxiliary switch	T5-Z-NR..

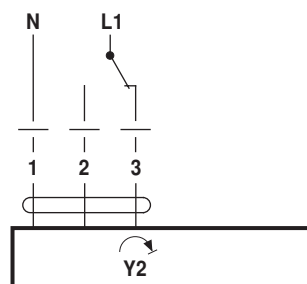
## Electrical installation

### Wiring diagram

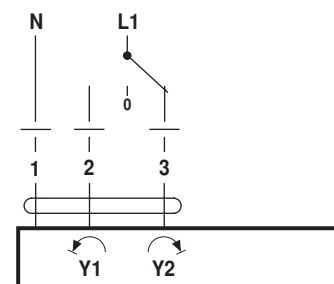
**Note**  
Caution: Power supply voltage!



### Open-close control

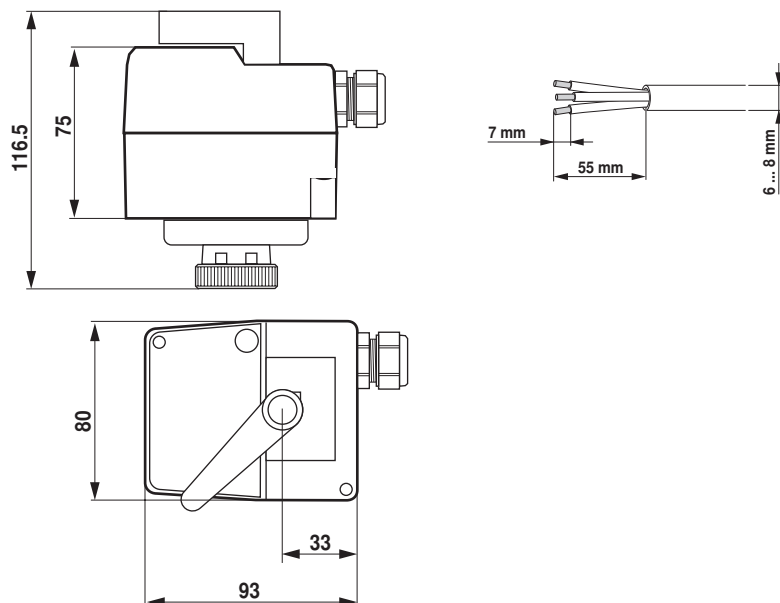


### 3-point control

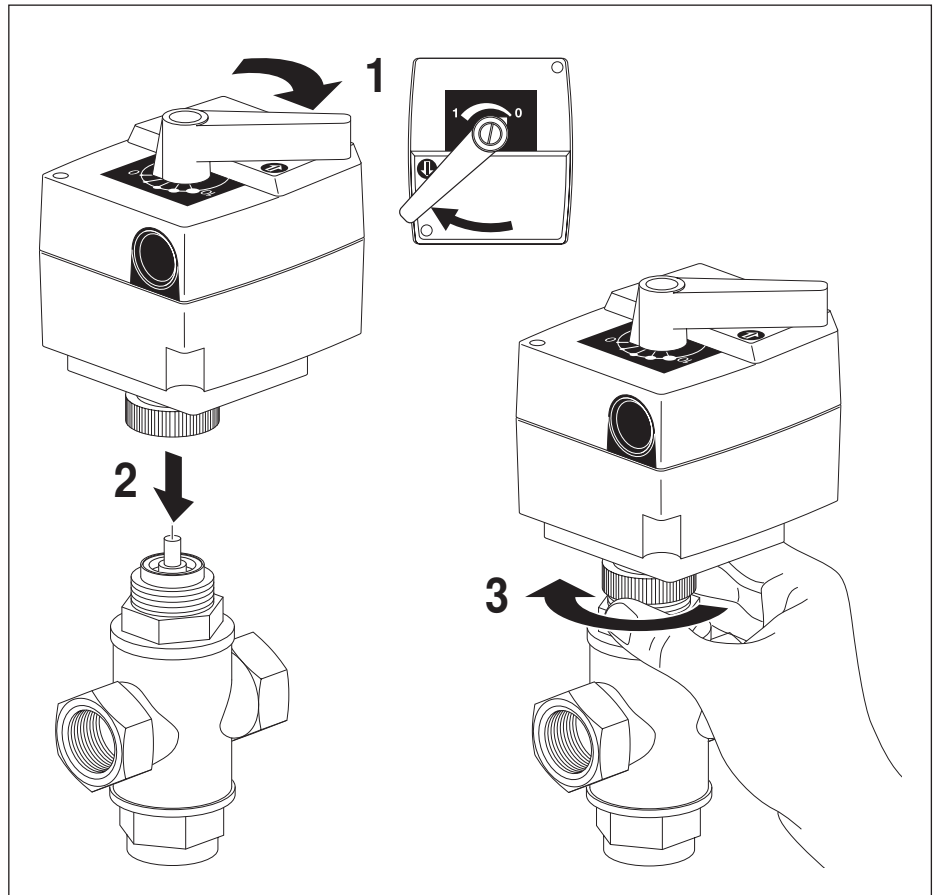


## Dimensions [mm]

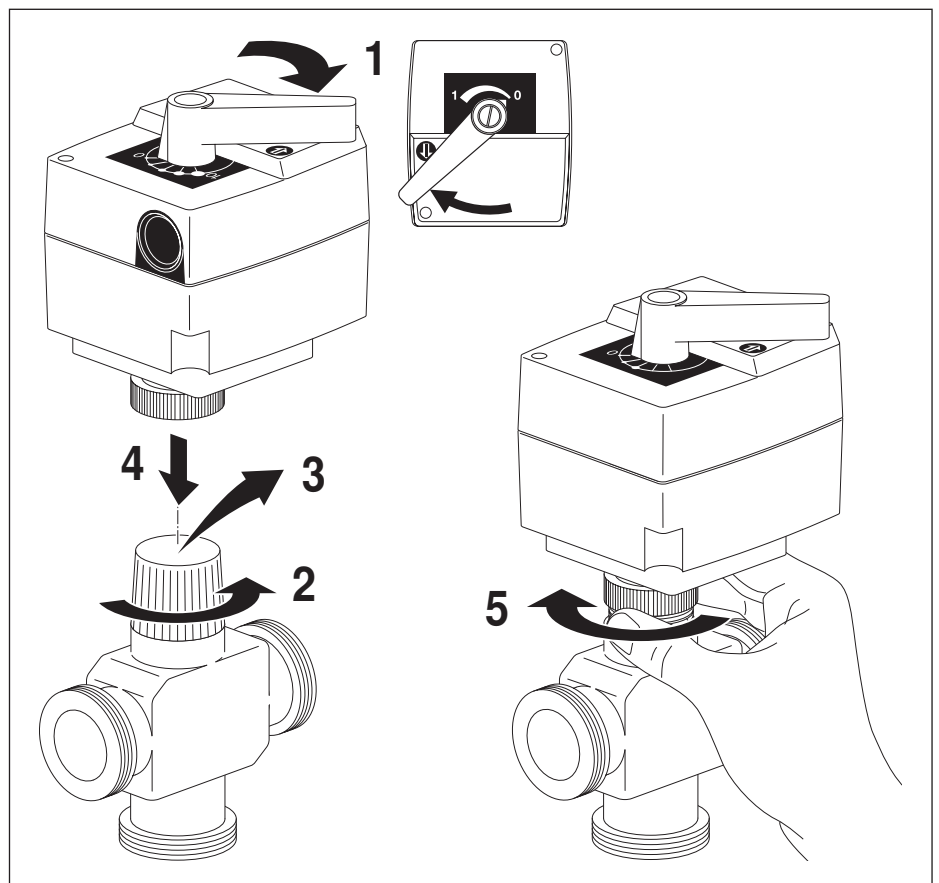
### Dimensional diagrams



NRDVX..-CA + V02BM.. LN  
V03BM.. LN



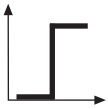
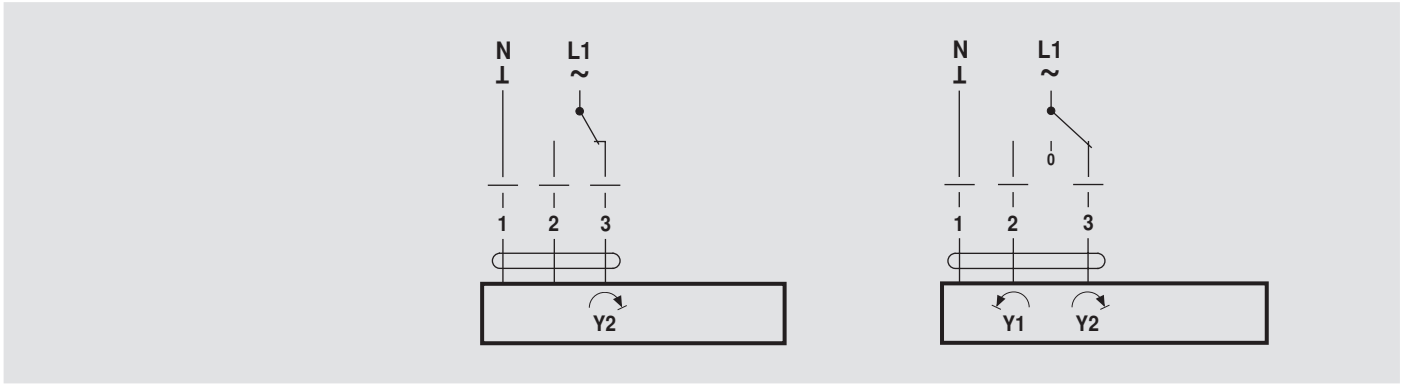
NRDVX..-SI + VVG44..  
VVI52..  
VXG44..



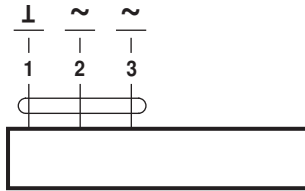
AC 230 V



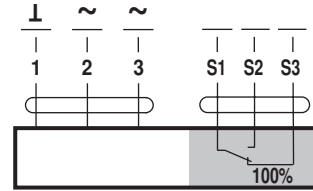
[www.belimo.com](http://www.belimo.com)



AC 24 V

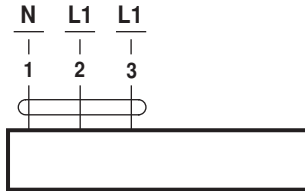


NRDVX24-3-T..

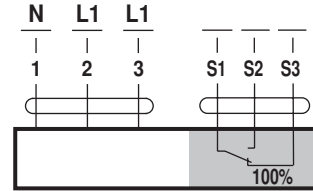


NRDVX24-3-T..

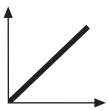
AC 230 V



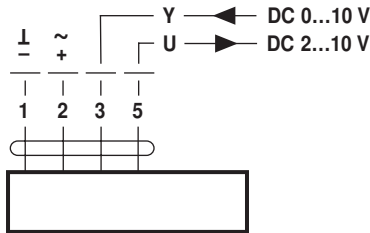
NRDVX230-3-T..



NRDVX230-3-T..



AC 24 V / DC 24 V



NRDVX24-SR-T..



AC 230 V



[www.belimo.com](http://www.belimo.com)