

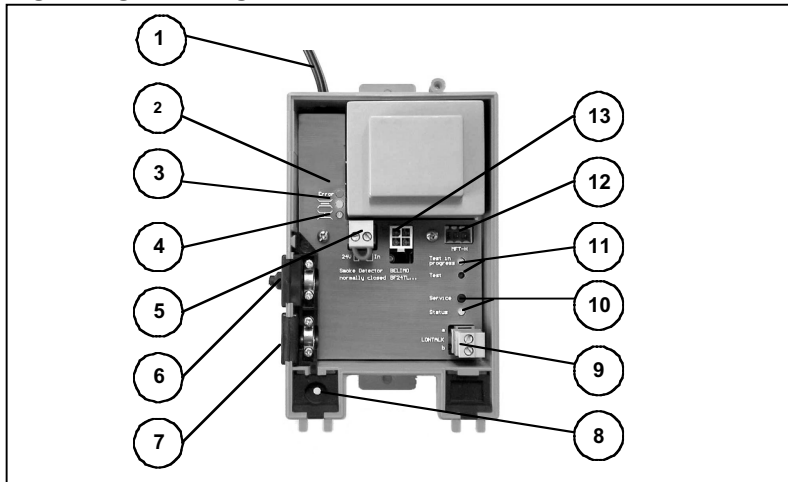


# BKN230-24LON

Communication and Power Supply Unit for Top-Line Fire & Smoke Actuators  
for LONWORKS® applications



## Signalling and Diagnostic Functions



- 1 Mains power input, 230 V AC
- 2 LED Error (red)
- 3 LED Damper open (green)
- 4 LED Damper closed (yellow)
- 5 Terminal for additional contact (NC), e.g. smoke detector
- 6 Cable entry, e.g. for smoke detector
- 7 Cable entry, e.g. for LONWORKS® network
- 8 Cable entry for Belimo actuator
- 9 Connector for LONWORKS® network
- 10 Status LED, yellow; Service button (LONMARK®)
- 11 Test button and Test LED, yellow
- 12 Connector for Top-Line F&S PC-Tool
- 13 Connector for Belimo Top-Line Fire & Smoke Actuator

## Signalling

Display	Colour	Status	Function
	green	flashing on	Damper OPENING Damper OPEN
	yellow	flashing on	Damper CLOSING Damper CLOSED
Error	red	flashing on	Existing fault MP communication fault
Status LED (LONMARK)	yellow	on flashing off	No user software loaded Not configured (factory setting) Configured (normal operation)
Test	yellow	on	Test in progress

### Test Function

Holding the test button depressed for at least 3 seconds will initiate a test sequence. The test button is accessible through a hole and can be pressed with the aid of a thin tool.

### Service

If the LonWorks® node has not been configured the actuator can be opened and closed by pressing the test button.

In the configured state, however, pressing the test button will always initiate a test sequence.

### Flashing

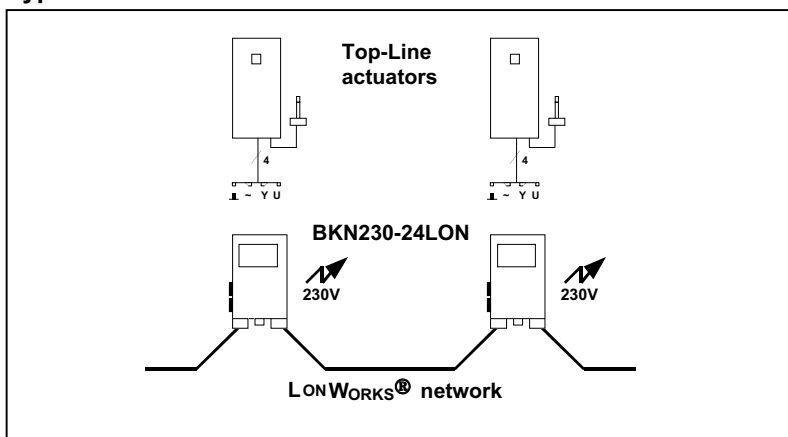
The LED's for error, damper open and damper closed flash for approximately 7 seconds when necessary. Repeated flashing does not extend the flashing time.

### Factory Settings

The BKN230-24LON unit is not configured before delivery.

The unit can be configured manually by applying mains power and pressing the service button for 3 to 10 seconds.

## Typical Installation



### Note

Topology:

The FTT 10-A transceiver is suitable for all forms of topology (bus, star, ring, etc.).

For safety reasons Belimo recommends that motorized fire and smoke dampers only be used on separate networks (channels).

Addressing:

The bus node address (fixed) is stored in the BKN230-24LON unit. This means that no re-addressing or system resetting is necessary when replacing a Top-Line actuator.