

# Electric Actuator Type CE

Electronic Failsafe 30/40 Nm IP55/66

ELODRIVE-Actuators are intended to be used for the operation of dampers, valves and other process control elements. The CE-Series of actuators (Brand name: EloSafe®) are equipped with an electronic failsafe solution that ensures a torque constant opening or closing of the damper or valve in case of a power supply interruption. The necessary energy for the failsafe operations is stored within the actuator. Direct mounting of the actuators onto the damper shafts is achieved via the centric clamping adapter. An enclosed anti-rotation strap ensures that the actuator remains in a defined position. The maximum rotation angle is 95°.

The following applies for all models of the product line CE:

## General Conception

- One size for all types
- Identical accessories for all models
- Identical control functionality for all models
- Homogeneous control and voltage variants for all models
- Universal wiring schematics

## Adaption possibilities

- centric clamping adapter as a standard feature
- Form fit adapters available in different sizes

## Motor and Gear Concept

- Brushless DC-Motor – no wear and tear
- Constant running time, independent of load
- Constant torque throughout the entire operating range
- Synchronized parallel operation
- Very quiet operating
- 100% self-locking

## Control Concept

- Wide supply voltage range (120/230V AC)
- Automatic shutoff either when reaching programmed hard-stop or when reaching mechanical end-stop
- No return voltage

## Adaptation possibilities

- Centric clamping adapter as a standard feature
- Form fit adapter available in different sizes
- Special solutions for aggressive environments available upon request

## Housing Design

- Protection degree IP55 and IP66 without additional encasement
- Direct mounting even in limited spaces
- Positioning of the actuator can be achieved either via the enclosed anti-rotation strap or by using additional screws



# ELODRIVE



## Highlights of the EloSafe series of actuators:

- 100% self-locking even without voltage
- Full specified torque throughout the entire 90° failsafe function
- Remains in a defined fail-safe position with 100% self-locking
- Failsafe function also possible when control signal (2...10 V) is missing
- 2 On/Off versions available

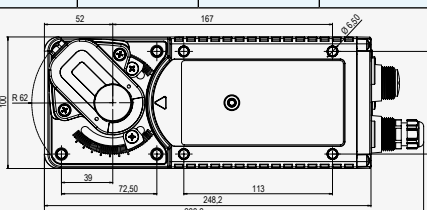
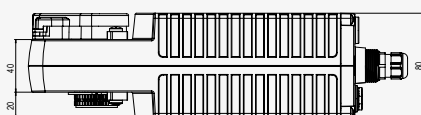
## Function: CE-...A

Drives On (90 s / 90°)  
Failsafe: < 60 s / 90° ◁

## Function CE-...D:

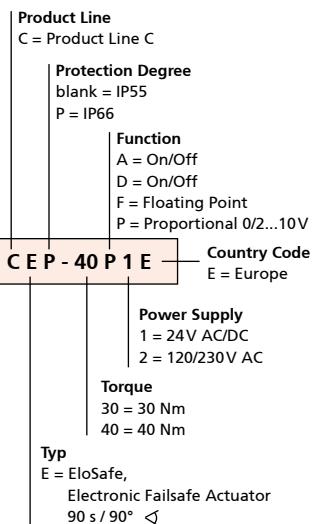
Drives On/Off  
(standard operation) 90 s / 90° ◁  
Failsafe: approx. 60 s / 90° ◁

Torque	Supply voltage	Type / Order-No.		Power consumption		
		Protection Degree IP55	Protection Degree IP66	Maximum	Operation	Stop
<b>On/Off</b>						
30 Nm	24V AC/DC	E-CE-30A1E E-CE-30D1E	E-CEP-30A1E E-CEP-30D1E	45,0 VA / 30,0 W	15,0 VA / 10,0 W	4,0 VA / 2,0 W
30 Nm	120/230V AC	E-CE-30A2E E-CE-30D2E	E-CEP-30A2E E-CEP-30D2E	45,0 VA / 30,0 W	15,0 VA / 10,0 W	4,0 VA / 2,0 W
40 Nm	24V AC/DC	E-CE-40A1E E-CE-40D1E	E-CEP-40A1E E-CEP-40D1E	45,0 VA / 30,0 W	15,0 VA / 10,0 W	4,0 VA / 2,0 W
40 Nm	120/230V AC	E-CE-40A2E E-CE-40D2E	E-CEP-40A2E E-CEP-40D2E	45,0 VA / 30,0 W	15,0 VA / 10 W	4,0 VA / 2,0 W
<b>Floating Point</b>						
30 Nm	24V AC/DC	E-CE-30F1E	E-CEP-30F1E	45,0 VA / 30W	15 VA / 10 W	4 VA / 2 W
30 Nm	120/230V AC	E-CE-30F2E	E-CEP-30F2E	45 VA / 30 W	15 VA / 10 W	4 VA / 2 W
40 Nm	24V AC/DC	E-CE-40F1E	E-CEP-40F1E	45 VA / 30 W	15 VA / 10 W	4 VA / 2 W
40 Nm	120/230V AC	E-CE-40F2E	E-CEP-40F2E	45 VA / 30 W	15 VA / 10 W	4 VA / 2 W
<b>Proportional 0/2...10V</b>						
30 Nm	24V AC/DC	E-CE-30P1E	E-CEP-30P1E	45 VA / 30 W	15 VA / 10 W	4 VA / 2 W
30 Nm	120/230V AC	E-CE-30P2E	E-CEP-30P2E	45 VA / 30 W	15 VA / 10 W	4 VA / 2 W
40 Nm	24V AC/DC	E-CE-40P1E	E-CEP-40P1E	45 VA / 30 W	15 VA / 10 W	4 VA / 2 W
40 Nm	120/230V AC	E-CE-40P2E	E-CEP-40P2E	45 VA / 30 W	15 VA / 10 W	4 VA / 2 W



All dimensions in mm

## Nomenclature



### Scope of delivery

- Centric clamp adapter
- integrated position indicator
- Anti rotation strap
- Allen key
- Operation manual

### Available accessories

- Form fit adapter on request
- Position indicator



Position indicator

### Technical Data Electric Actuator Type CE

Characteristic	24V	120/230V
Nominal voltage	AC 24V +/- 20%, 50/60 Hz, DC 24 to 36V +/- 10%	AC 90 to 264V, 50/60 Hz
Protection class	III (SELV, safety low voltage)	II protective insulation
Starting current	Max. 6 A	Max. 6 A
<b>Actuator features at 24V and 120/230V Connection voltage</b>		
Synchronization	+/- 5%	
Rotation direction	Selectable via switch L/R (CCW/CW) or by L/R mounting	
Angle of rotation	Max. 95°	
Manual adjustment	One-handed positioning - without disengaging of gears	
Shaft mounting	∅ 12 – 26 mm	
Running time	90 s (+/- 5%), during normal operation; independent of load; Failsafe operations approx. 60 s	
Failsafe operations	≤ 10.000	
Position indicator	Mechanical	
Noise emission level	< 35 dB (A), Failsafe operation approx. < 60 dB (A)	
Ambient temperature	-20 to +50°C	
Storage temperature	-40 to +70°C	
Ambient humidity	5 to 95% rH	
Function	Type 1 (EN 60730-1)	
Norm conformity	EN60730-1, EN60730-2, EN55022 Class B, EN55014, EN61000	
Weight	approx. 2500 g (depends on version)	
Maintenance	maintenance free	
<b>On/Off</b>		
Connection Cable (A-Types)	2x0,75 mm <sup>2</sup> , 0,9 m length	
Wiring schematics On/Off (A-Types)		
Connection Cable (D-Types)	3x0,75 mm <sup>2</sup> , 0,9 m length	
Wiring schematics Auf/Zu (D-Typen)		
<b>Floating Point</b>		
Connection Cable	4x0,75 mm <sup>2</sup> , 0,9 m length	
Wiring schematics Floating Point		
<b>Proportional 0/2...10V</b>		
Working area	0...10V or 2...10V selectable via switch or 24 V AC/DC override function (on/off)	
Input resistance	>100 kΩ	
Output signal	DC 0/2...10V for 0...100%	
Connection Cable	4x0,75 mm <sup>2</sup> , 0,9 m length	5x0,75 mm <sup>2</sup> , 0,9 m length
Wiring schematics Proportional 0/2...10V (Input till 24 V)		
<b>Wiring Schematics</b>		
Integrated auxiliary switches		
Integrated potentiometer		