

Electric Actuator Type Typ CN

Non Spring Return 40 Nm, IP55/66



ELODRIVE-Actuators are intended to be used for the operation of dampers, valves and other process control elements. The CN-Series of actuators remain in position in case of a power supply interruption. Direct mounting of the actuators onto the damper shafts is achieved via the centric clamping adapter. An enclosed anti-rotation strap ensures that the actuator remains in a defined position. The maximum rotation angle is 95°.

The following applies for all models of the product line CN:

General Conception

- One size for all types
- Identical accessories for all models
- Identical control functionality for all models
- Homogeneous control and voltage variants for all models
- Universal wiring schematics

Operational Functionality

- Simple one-handed manual positioning
 - no disengaging of gears required
- Direction of rotation (CW or CCW) and also signal 0...10V and 2...10V selectable via switch

Motor and Gear Concept

- Brushless DC-Motor – no wear and tear
- Constant running time, independent of load
- Constant torque throughout the entire operating range
- Synchronized parallel operation
- Very quiet operating
- Innovative Solution for 100% self-locking

Control Concept

- On/Off and Floating Point control combined in one system
- Wide supply voltage range (120/230V AC)
- Automatic shutoff either when reaching programmed hard-stop or when reaching mechanical end-stop
- No return voltage

Adaptation possibilities

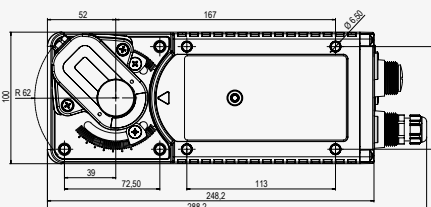
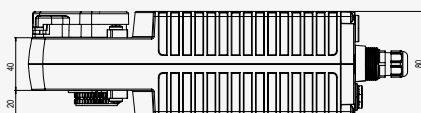
- Centric clamping adapter as a standard feature
- Form fit adapter available in different sizes
- Special solutions for aggressive environments available upon request

Housing Design

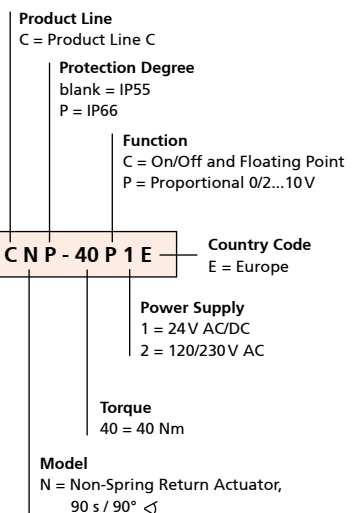
- Protection degree IP55 and IP66 without additional encasement
- Direct mounting even in limited spaces
- Positioning of the actuator can be achieved either via the enclosed anti-rotation strap or by using additional screws



Torque	Supply voltage	Type / Order-No.		Power consumption	
		Protection Degree IP55	Protection Degree IP66	Operation	Stop
On/Off and Floating Point control					
40 Nm	24 V AC/DC	E-CN-40C1E	E-CNP-40C1E	10 VA / 6 W	1,0 W
40 Nm	120/230V AC	E-CN-40C2E	E-CNP-40C2E	14 VA / 10 W	2,0 VA
Proportional 0/2...10V					
40 Nm	24 V AC/DC	E-CN-40P1E	E-CNP-40P1E	10 VA / 6 W	1,0 W
40 Nm	120/230V AC	E-CN-40P2E	E-CNP-40P2E	14 VA / 10 W	2,0 VA



Nomenclature



Scope of delivery

- Centric clamp adapter
- integrated position indicator
- Anti rotation strap
- Allen key
- Operation manual

Available accessories

- Form fit adapter on request
- Position indicator



Position indicator

Technical Data Electric Actuator Type CN		
Characteristic	24V	120/230V
Nominal voltage	AC 24V +/- 20%, 50/60 Hz, DC 24 to 36V +/- 10%	AC 90 to 264V, 50/60 Hz
Protection class	III (SELV, safety low voltage)	II protective insulation
Starting current	Max. 3 A	
Actuator features at 24V and 120/230V Connection voltage		
Synchronization	+/- 5%	
Rotation direction	Selectable via switch L/R (CCW/CW) or by L/R mounting	
Angle of rotation	Max. 95°	
Manual adjustment	One-handed positioning - without disengaging of gears	
Shaft mounting	Centered, \varnothing 12 – 26 mm	
Running time	90 s (+/- 5%), independent of load	
Position indicator	Mechanical	
Noise emission level	< 35 dB (A)	
Ambient temperature	-30 to +50°C	
Storage temperature	-40 to +80°C	
Ambient humidity	5 to 95% rH	
Function	Type 1 (EN 60730-1)	
Norm Conformity	EN60730-1, EN60730-2, EN55022 Class B, EN55014, EN61000	
Weight	approx. 2500 g (depends on version)	
Maintenance	maintenance free	
On/Off and Floating Point control		
Connection Cable	3x0,75 mm ² , 0,9 m length	
Wiring Schematics On/Off		
Wiring Schematics Floating Point		
Proportional 0/2...10V		
Working area	0...10V or 2...10V selectable via switch or 24 V AC/DC override function (on/off)	
Input resistance	>100 kΩ	
Output signal	DC 0/2...10V for 0...100%	
Connection Cable	4x0,75 mm ² , 0,9 m length	5x0,75 mm ² , 0,9 m length
Wiring Schematics Proportional 0/2...10V (Input till 24 V)		
Wiring Schematics		
Integrated auxiliary switches		
Integrated potentiometer		