

Wafer type butterfly valves,
for shut-off functions

- in open and closed cold and hot water systems
- for switching heating and cooling machines on and off


Overview of types

Type	DN [mm]	k_{Vmax}^1 [m ³ /h]	Type	DN [mm]	k_{Vmax}^1 [m ³ /h]
D625N	25	45	D6200N	200	2900
D632N	32	55	D6250N	250	4400
D640N	40	70	D6300N	300	7300
D650N	50	90	D6350N	350	10900
D665N	65	180	D6400N	400	14200
D680N	80	300	D6450N	450	18800
D6100N	100	580	D6500N	500	24100
D6125N	125	820	D6600N	600	37300
D6150N	150	1600	D6700N	700	42800

¹⁾ according to VDI 2176

Technical data

Functional data	Media	Cold and warm water, water with max 50% volume of glycol	
	Media temperature	-20°C ... +120°C	
	Rated pressure p_s	1600 kPa	
	Flow rate k_{Vs}	See «Overview of types»	
	Leakage rate	A, tight (EN 12266-1)	
	Pipe connectors	DN 25 ... DN 200 DN 250 ... DN 350 DN 400 ... DN 700	Flange PN 6 / PN 10 / PN 16 (according to ISO 7005-2) Flange PN 10 ²⁾ / PN 16 (according to ISO 7005-2) Flange PN 16 (according to ISO 7005-2)
	Suitable connecting flanges	According to ISO 7005-2 and EN 1092-2	
	Angle of rotation	90°↔	
	Installation position	Vertical to horizontal (in relation to the stem)	
	Maintenance	Maintenance-free	
Materials	Fitting	EN-JS1030 (GGG 40), Epoxy powder-coating (RAL 5002)	
	Disc	DIN/EN 1.4301 / AISI SS 304 (Stainless steel)	
	Stem	DIN/EN 1.4005 / AISI SS 416 (Stainless steel)	
	Seat	EPDM	
	Stem seal	EPDM O-ring	
	Stem bearing	RPTFE	
Dimensions / weights	See «Dimensions and weights» on pages 3 and 4		
Actuation	See complete range of water solutions		

²⁾ on request

Safety notes



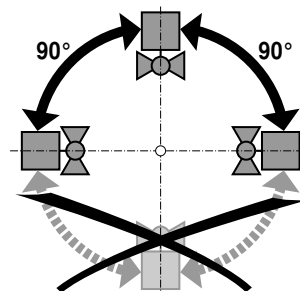
- The butterfly valve has been designed for use in stationary heating, ventilation and air conditioning systems and is not allowed to be used outside the specified field of application, especially in aircraft or in any other airborne means of transport.
- It may only be installed by suitably trained personnel. Any legal regulations or regulations issued by authorities must be observed during assembly.
- The butterfly valve does not contain any parts that can be replaced or repaired by the user.
- The butterfly valve may not be disposed of as household refuse. All locally valid regulations and requirements must be observed.
- When determining the flow rate characteristic of final controlling elements, the recognised directives must be observed.
- In order to avoid water hammers in the piping system, the disc is to be opened and closed slowly.

Product features

- Mode of operation** The butterfly valve is opened or closed completely by an open-close rotary actuator. Continuous rotary actuators are controlled by a commercially available controller and move the valve discs into any position desired.
The disc made of stainless steel is pressed into the soft-sealing EPDM seat by a rotary movement and ensures leakage rate A (tight).
The flow rate losses are slight in open position and the k_{vs} value is high.
- Manual override** Manual throttling or shut-off can be carried out with a lever or a worm gear (see «Accessories»).
- With lever (DN 25 ... 150): Adjustable in 10 ratchet steps with position indication (0 = 0° ↯; 9 = 90° ↯).
 - With worm gear (DN 25 ... 700): Steplessly adjustable (self-locking) with position indication.

Installation instructions

- Recommended installation positions** The butterfly valves may be mounted from **vertical to horizontal**.
The butterfly valves may not be installed in a hanging position i.e. with the stem pointing downwards.



- Water quality requirements** The water quality requirements specified in VDI 2035 must be adhered to.

- Maintenance**
- Butterfly valves, rotary actuators and mechanical accessories are maintenance-free.
 - Before any kind of service work is carried out on actuator sets of this type, it is essential to isolate the rotary actuator from the power supply (by unplugging the power lead). Any pumps in the part of the piping system concerned must also be switched off and the appropriate isolating fittings closed (allow everything to cool down first if necessary and reduce the pressure in the system to atmospheric).
 - The system must not be returned to service until the butterfly valve and the rotary actuator have been properly reassembled in accordance with the instructions and the pipework has been refilled in the proper manner.

Recommendation

Butterfly valves should drive once per month a full cycle.

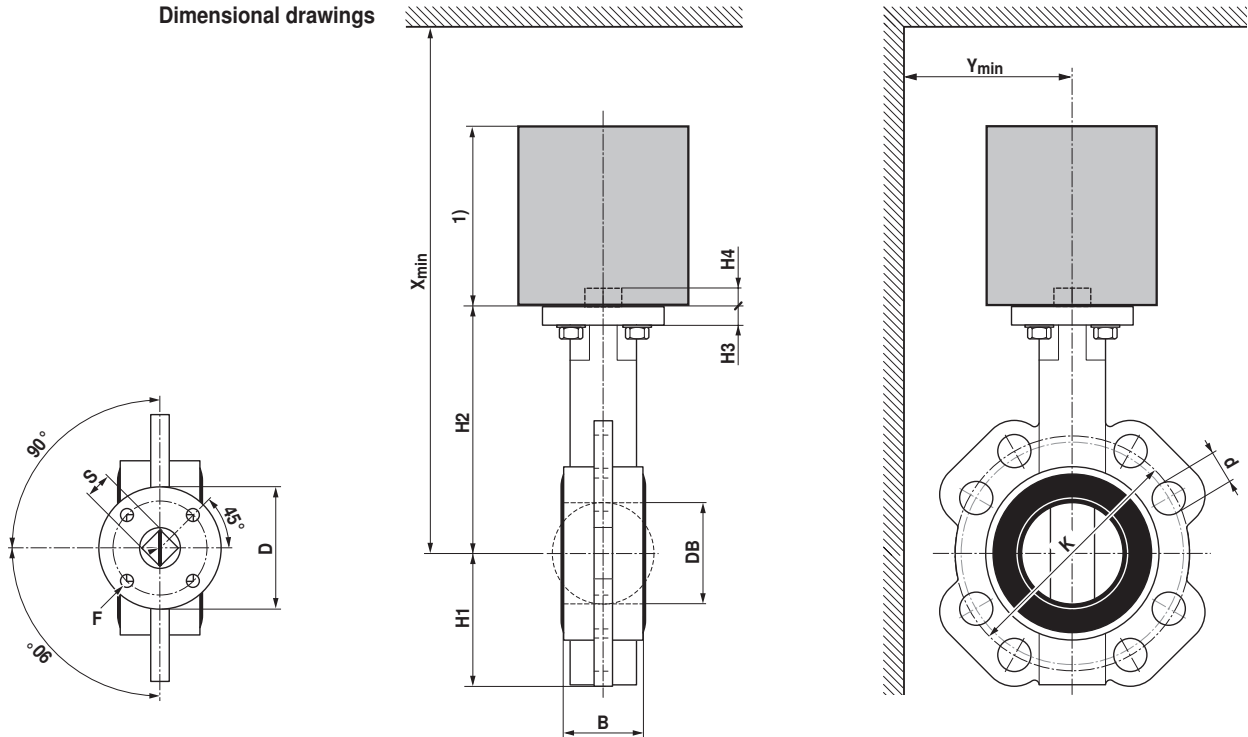
Accessories

Mechanical accessories	Worm gear		Lever		for butterfly valves DN
	Type	Weight [kg]	Type	Weight [kg]	
	ZD6N-S100	4.3	ZD6N-H100	0.4	50 ... 100
	ZD6N-S150	4.6	ZD6N-H150	0.7	125 ... 150
	ZD6N-S200	10.8			200
	ZD6N-S250	10.9			250
	ZD6N-S350	11.9			300 ... 350
	ZD6N-S400	26.6			400
	ZD6N-S450	27.0			450
	ZD6N-S500	40.9			500
	ZD6N-S600	53.7			600
	ZD6N-S700	94.9			700

Dimensions [mm]

DN 25 ... DN 350

Dimensional drawings



DN [mm]	Mounting flange ²⁾					H1 [mm]	H2 [mm]	B [mm]	DB [mm]	PN 6		PN 10		PN 16		Weight [kg]
	D [mm]	F [mm]	S [mm]	H3 [mm]	H4 [mm]					K [mm]	d [mm]	K [mm]	d [mm]	K [mm]	d [mm]	
25	65	F05	14	10	13	48	86	32	30	75	4 x 11	85	4 x 14	85	4 x 14	1.0
32	65	F05	14	10	13	60	100	33	35	90	4 x 14	100	4 x 19	100	4 x 19	1.0
40	65	F05	14	10	13	68	119	33	42	100	4 x 14	110	4 x 19	110	4 x 19	1.4
50	65	F05	14	11	13	72	133	43	52	110	4 x 14	125	4 x 19	125	4 x 19	2.3
65	65	F05	14	11	13	81	147	46	64	130	4 x 14	145	4 x 19	145	4 x 19	2.8
80	65	F05	14	11	13	96	158	46	78	150	4 x 19	160	8 x 19	160	8 x 19	3.3
100	65	F05	14	11	13	106	170	52	103	170	4 x 19	180	8 x 19	180	8 x 19	4.4
125	90	F07	17	15	19	122	194	56	122	200	8 x 19	210	8 x 19	210	8 x 19	6.0
150	90	F07	17	15	19	140	202	56	155	225	8 x 19	240	8 x 23	240	8 x 23	7.3
200	90	F07	17	15	19	172	240	60	202	280	8 x 19	295	8 x 23	295	12 x 23	12.0
250	125	F10	22	15	24	206	268	68	250			350	12 x 23	355	12 x 28	18.7
300	125	F10	22	15	24	244	316	78	301			400	12 x 23	410	12 x 28	26.8
350	125	F10	22	15	24	267	361	78	333			460	16 x 23	470	16 x 28	39.2

DN [mm]	SR..A		SR..P		GR..A		DGR..A		DR..		SY1		SY2 / SY3		SY4 / SY5		SRF (ARF)	
	Xmin [mm]	Ymin [mm]	Xmin [mm]	Ymin [mm]	Xmin [mm]	Ymin [mm]	Xmin [mm]	Ymin [mm]	Xmin [mm]	Ymin [mm]	Xmin [mm]	Ymin [mm]	Xmin [mm]	Ymin [mm]	Xmin [mm]	Ymin [mm]	Xmin [mm]	Ymin [mm]
25	220	150	320	150							320	150					240	150
32	240	150	340	150							340	150					260	150
40	250	160	350	160							350	160					280	160
50	270	160	370	160							370	160					290	160
65	280	170	380	170							380	170					310	170
80	290	180	390	180	300	180					390	180					310	180
100	300	190			320	190					410	190						
125					340	210	400	210	500	210			530	210				
150							400	220	510	220			540	220				
200													580	250				
250															630	280		
300															680	310		
350															730	340		

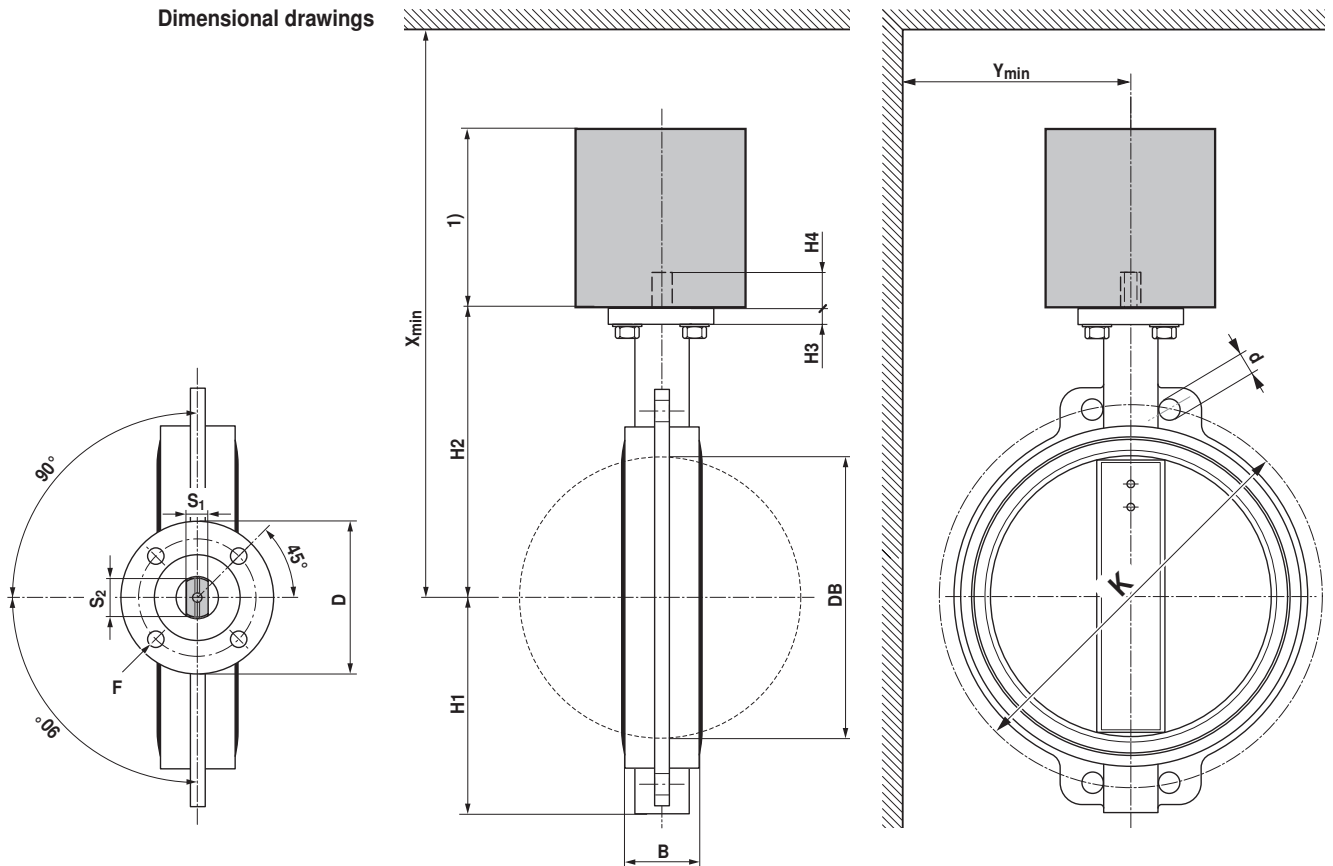
¹⁾ The actuator dimensions can be found on the respective actuator data sheet

²⁾ according to ISO 5211

Dimensions [mm]

DN 400 ... DN 700

Dimensional drawings



DN [mm]	Mounting flange ²⁾						PN 16						Weight [kg]
	D [mm]	F [mm]	S ₁ [mm]	S ₂ [mm]	H ₃ [mm]	H ₄ [mm]	H ₁ [mm]	H ₂ [mm]	B [mm]	DB [mm]	K [mm]	d [mm]	
400	175	F14	22	28.2	20	48	299	400	102	391	525	4 x 31	59
450	175	F14	27	36.2	20	48	327	422	114	442	585	4 x 31	73
500	175	F14	27	36.2	22	48	349	480	127	493	650	4 x 34	98
600	210	F16	36	48.2	22	48	444	562	154	594	770	16 x 37 4 x M33	182
700	300	F25	46	60.2	33	66	505	624	165	695	840	20 x 37 4 x M33	281

DN [mm]	SY4		SY5		SY6		SY7		SY8		SY9		SY10		SY12	
	X _{min} [mm]	Y _{min} [mm]	X _{min} [mm]	Y _{min} [mm]	X _{min} [mm]	Y _{min} [mm]	X _{min} [mm]	Y _{min} [mm]	X _{min} [mm]	Y _{min} [mm]	X _{min} [mm]	Y _{min} [mm]	X _{min} [mm]	Y _{min} [mm]	X _{min} [mm]	Y _{min} [mm]
400	1100	1300			1100	1300	1300	1300								
450			1200	1400			1300	1400	1300	1400						
500									1400	1500	1700	1500				
600											1800	1800	1800	1800	1800	1800
700													1800	1800	1800	1900

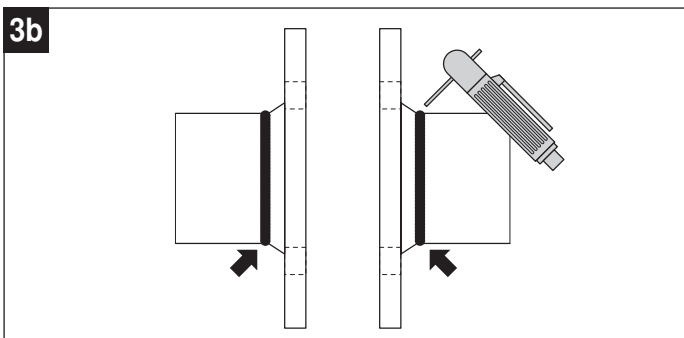
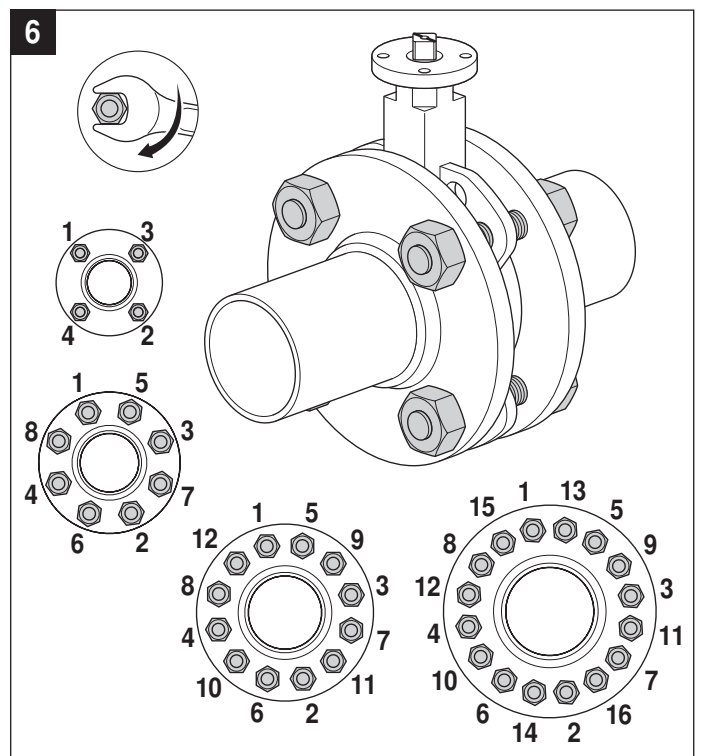
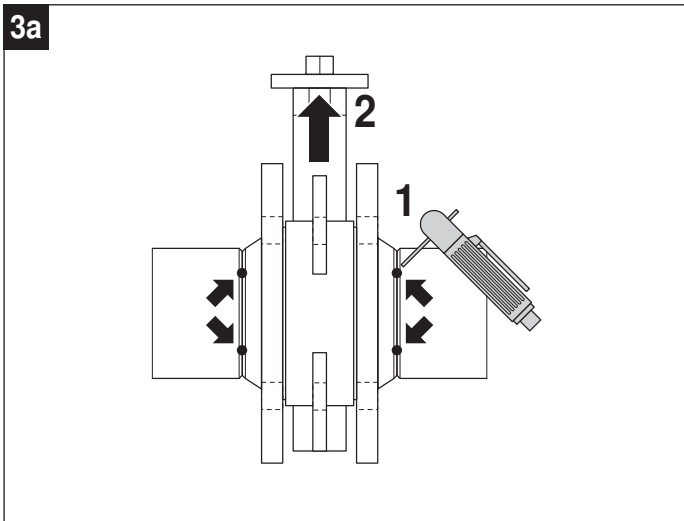
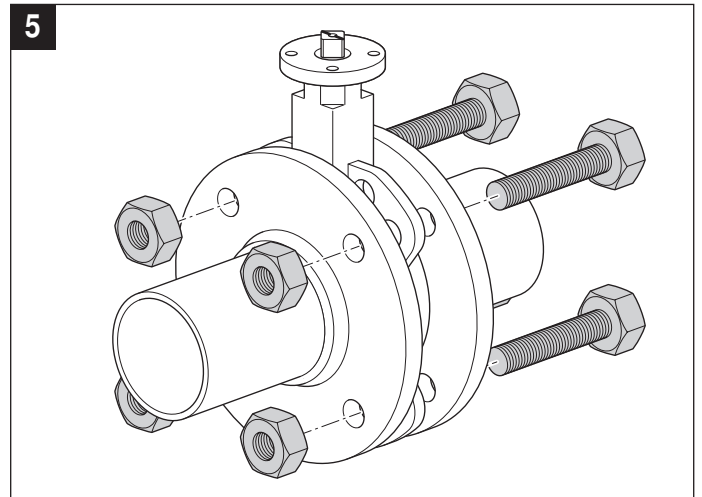
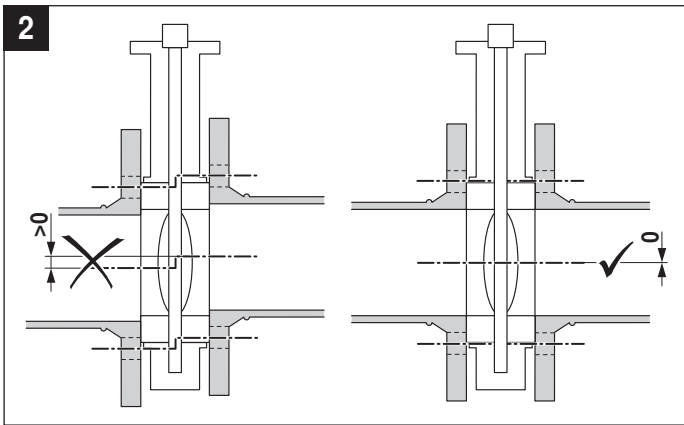
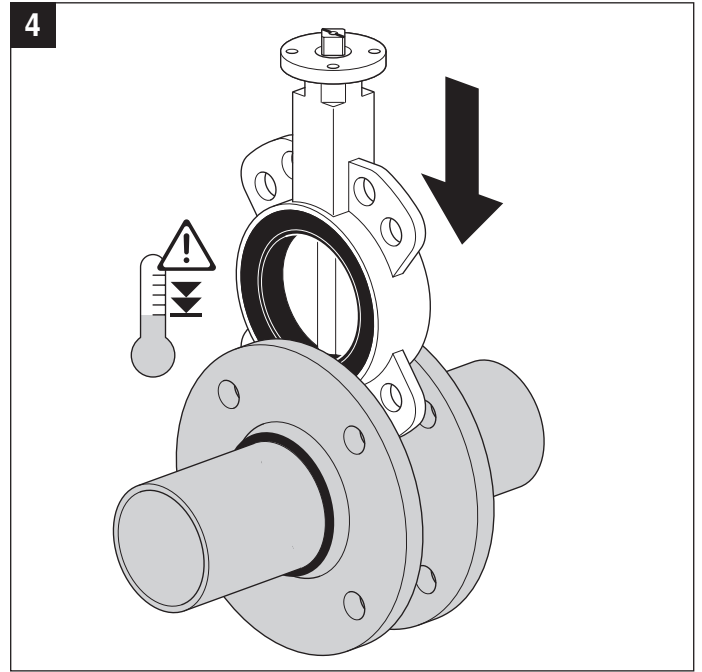
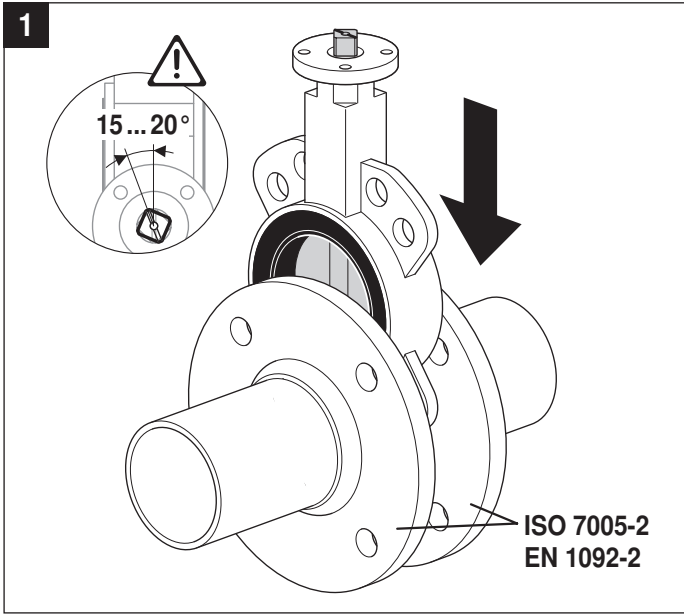
¹⁾ The actuator dimensions can be found on the respective actuator data sheet

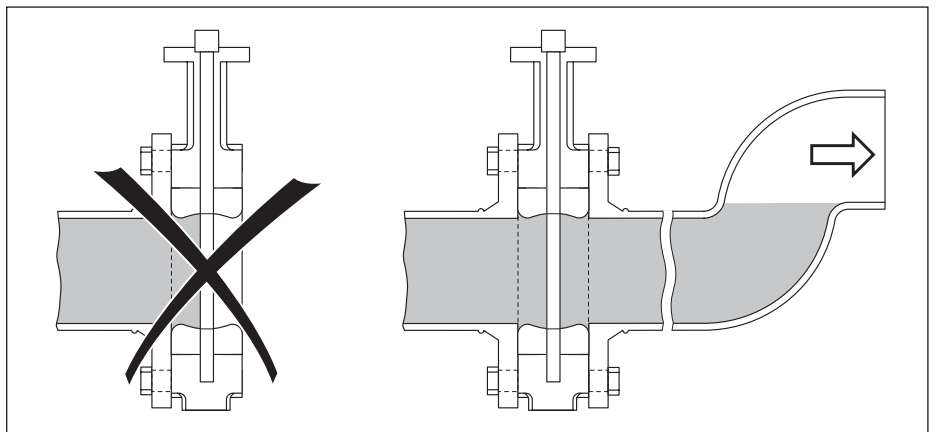
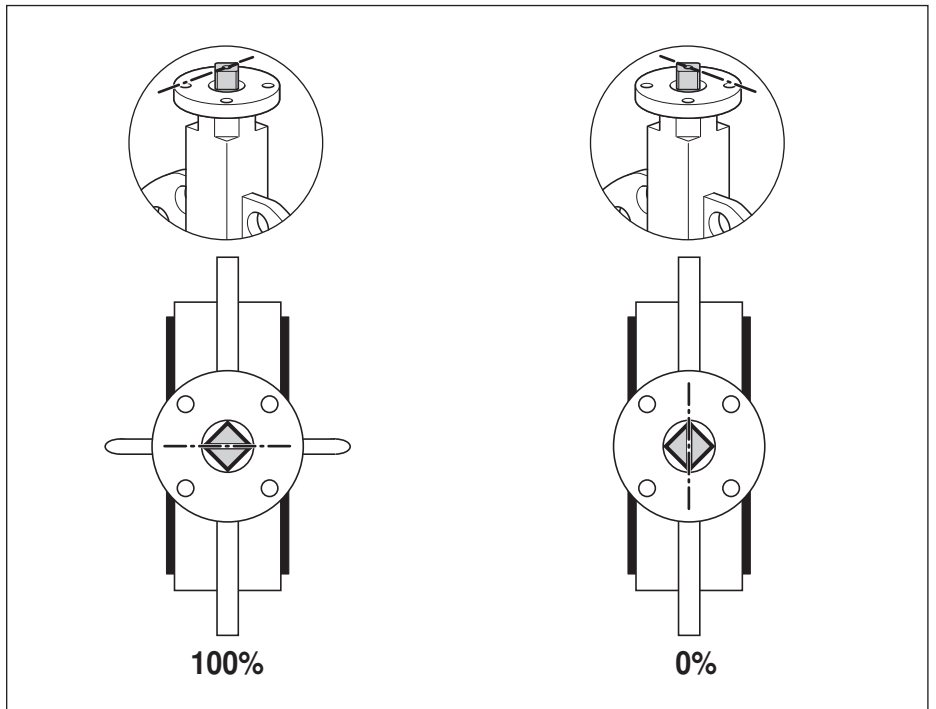
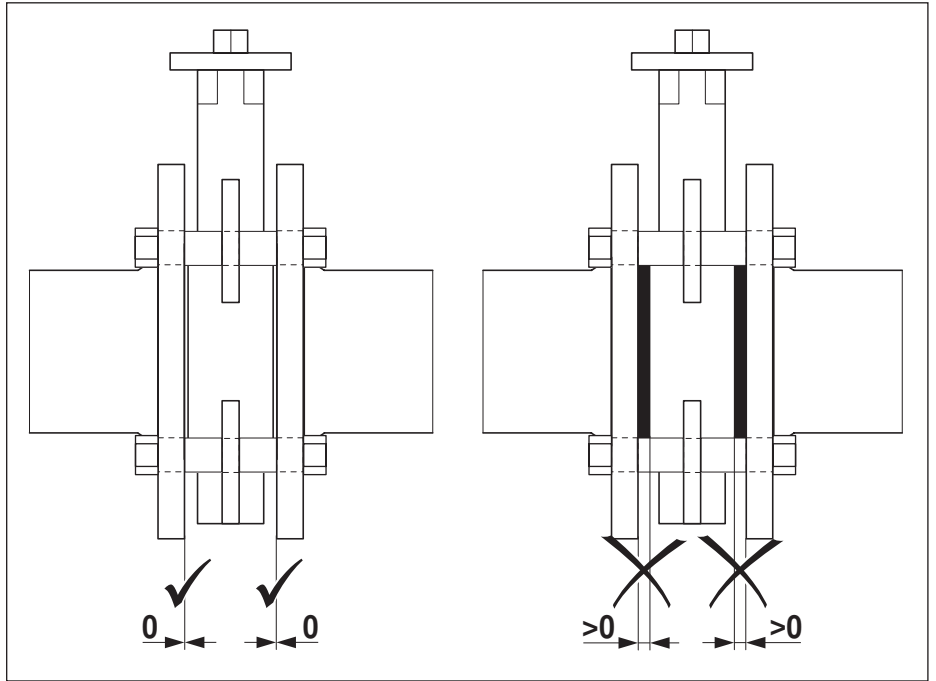
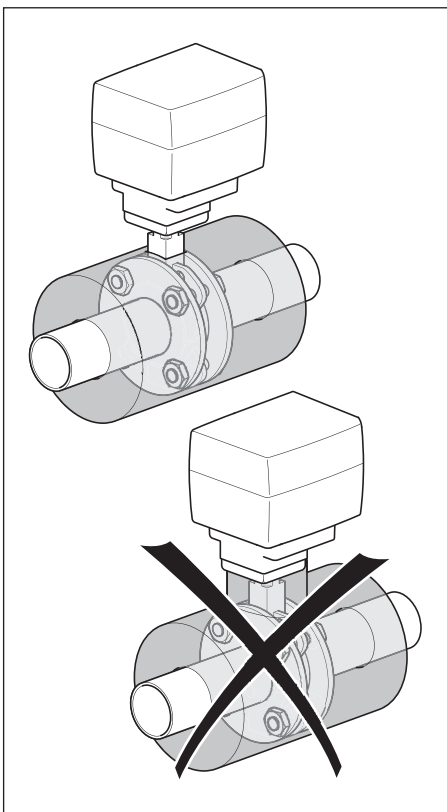
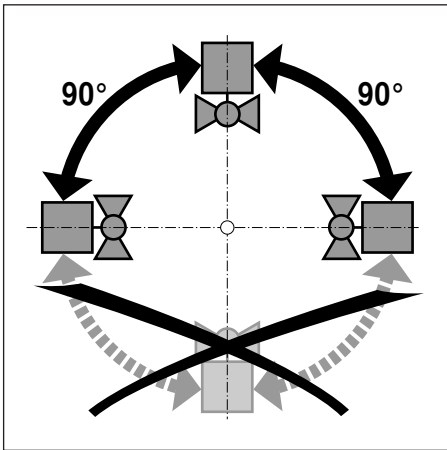
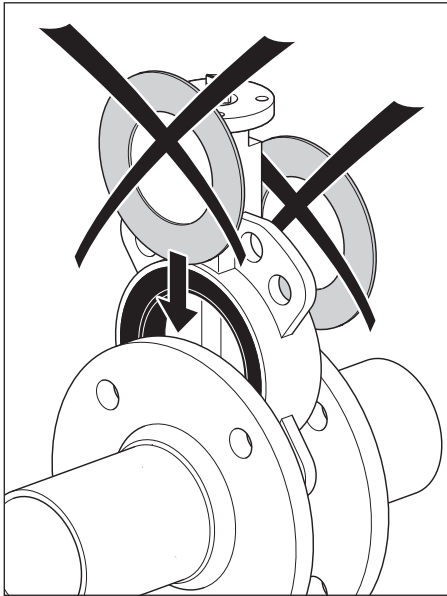
²⁾ according to ISO 5211

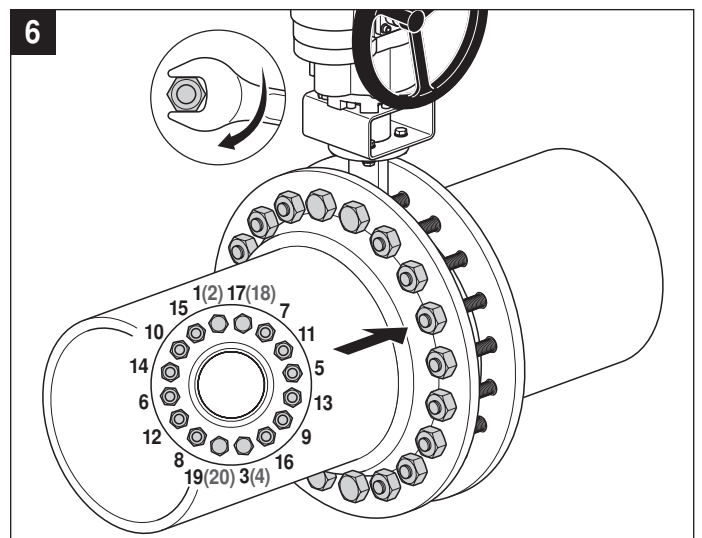
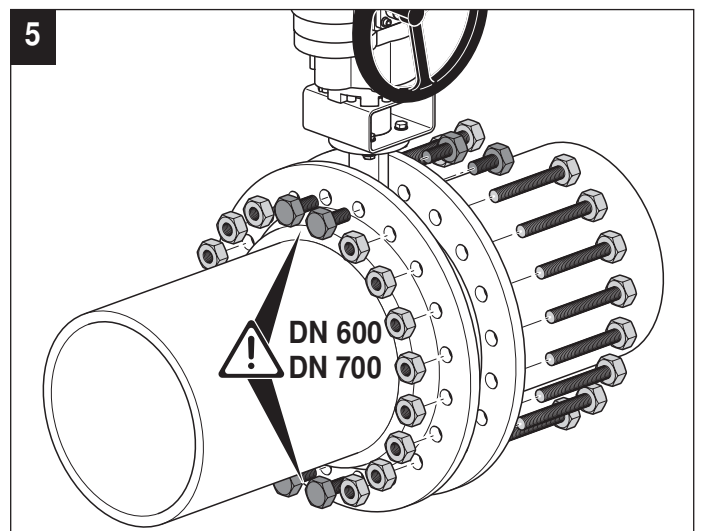
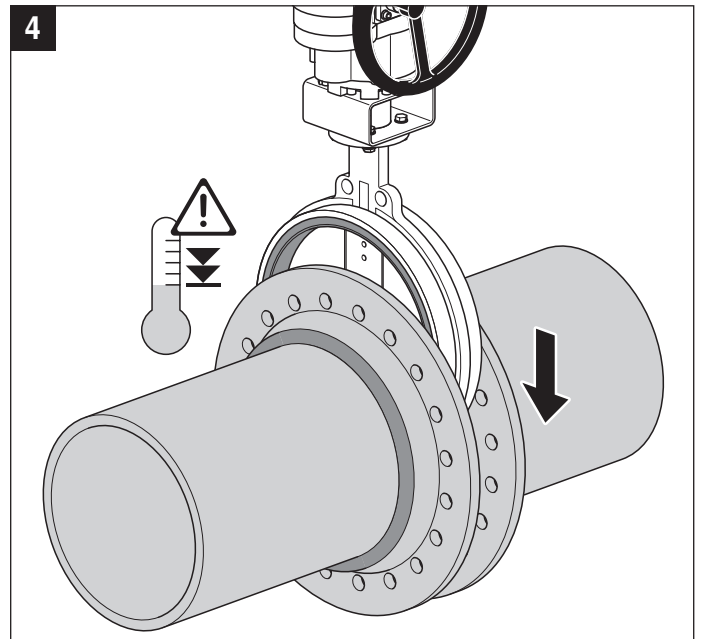
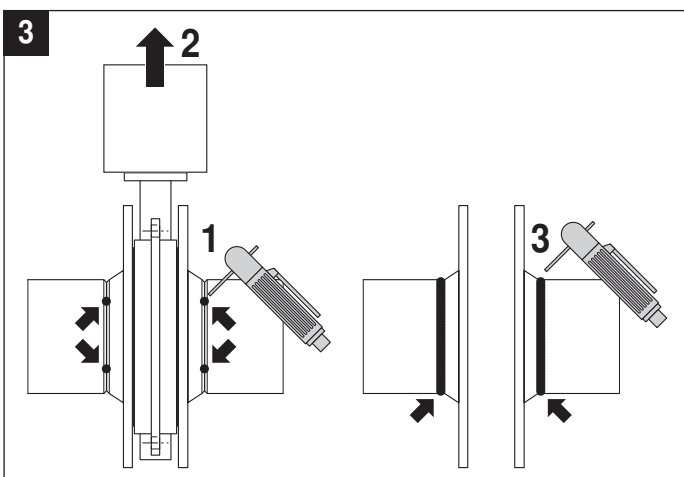
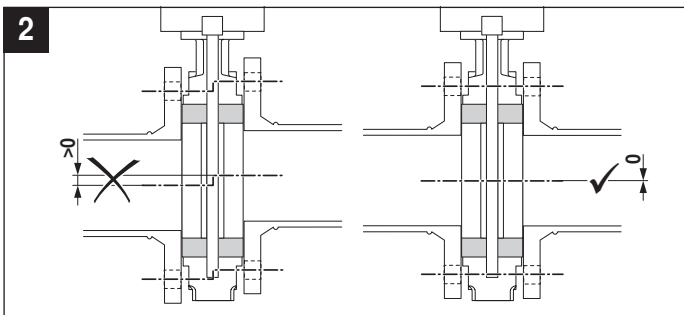
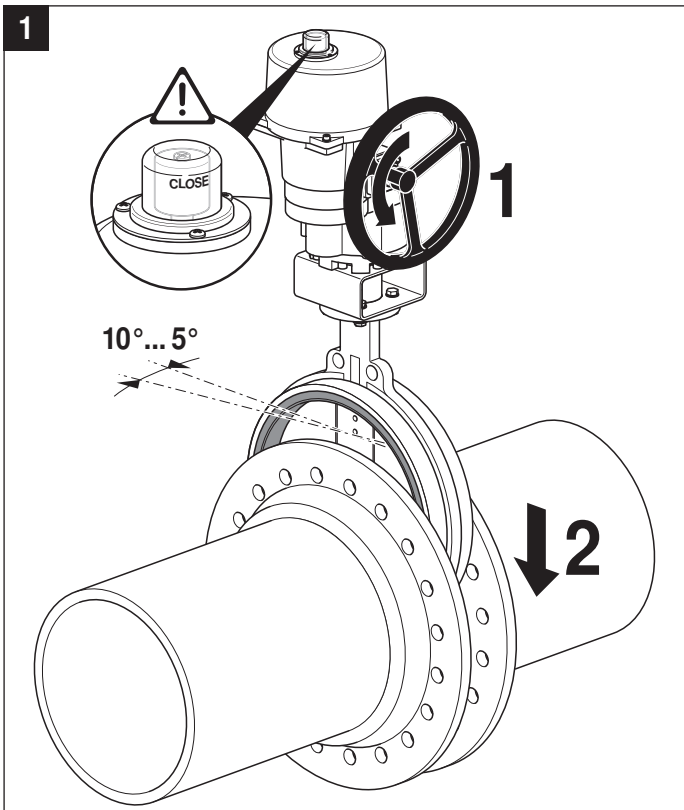
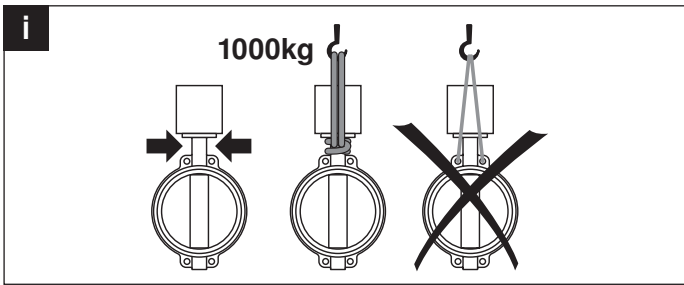
Further documentations

- Complete overview «The complete range of water solutions»
- Data sheets actuators
- Installation instructions for butterfly valves and/or actuators. respectively
- Notes for project planning (hydraulic characteristic curves and circuits. installation regulations. commissioning. maintenance etc.)

70799-00001.B



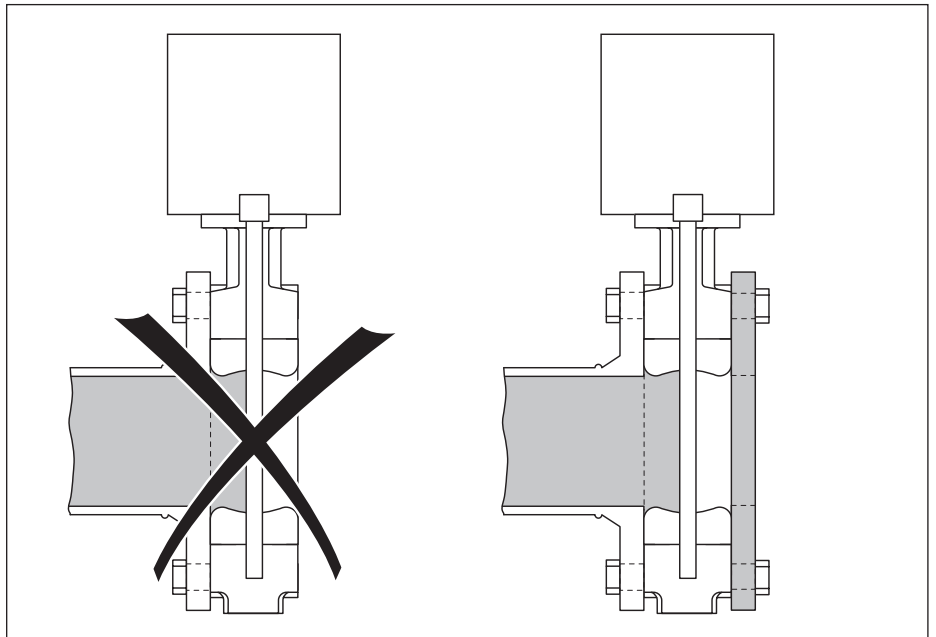
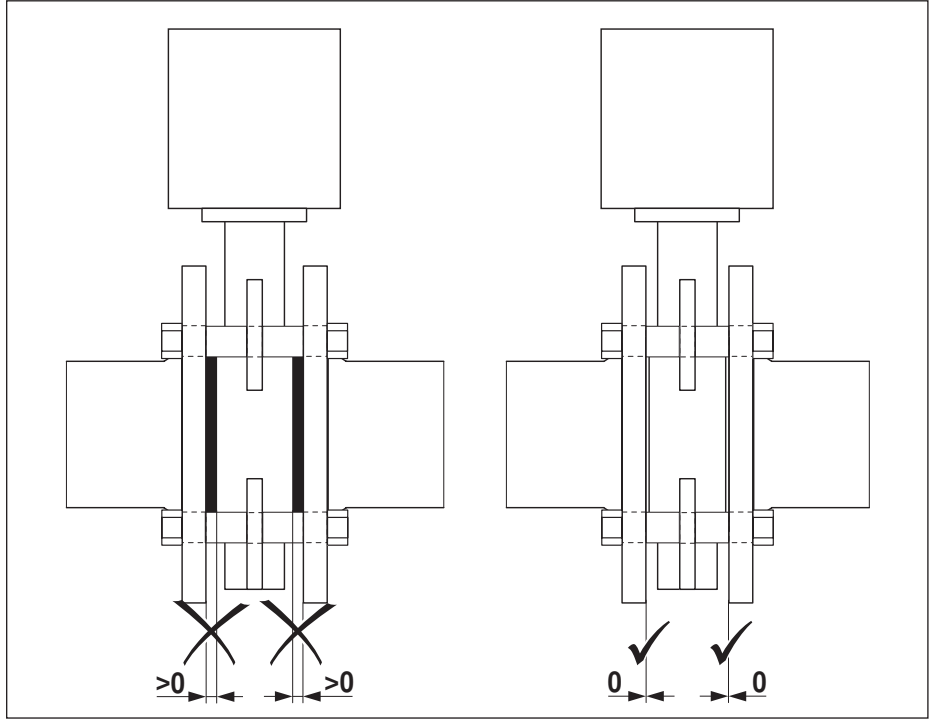
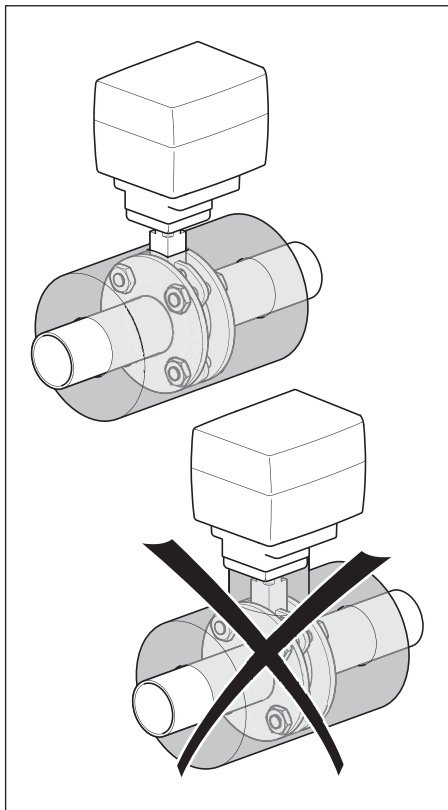
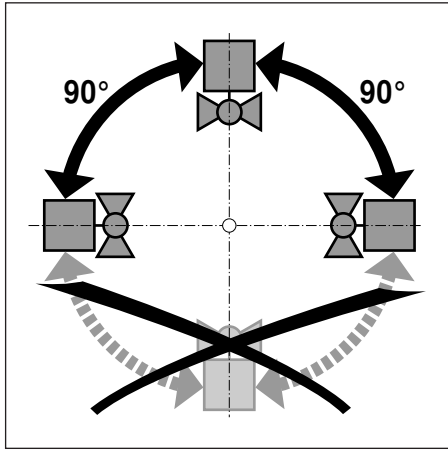
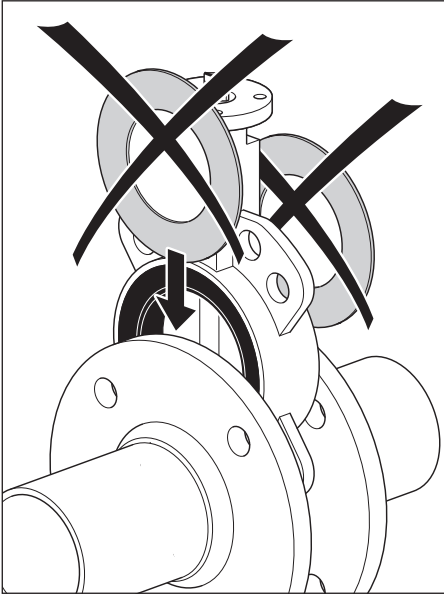


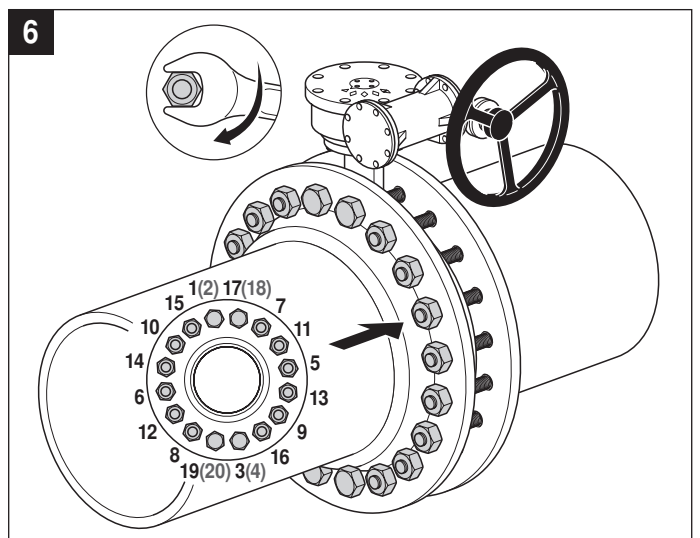
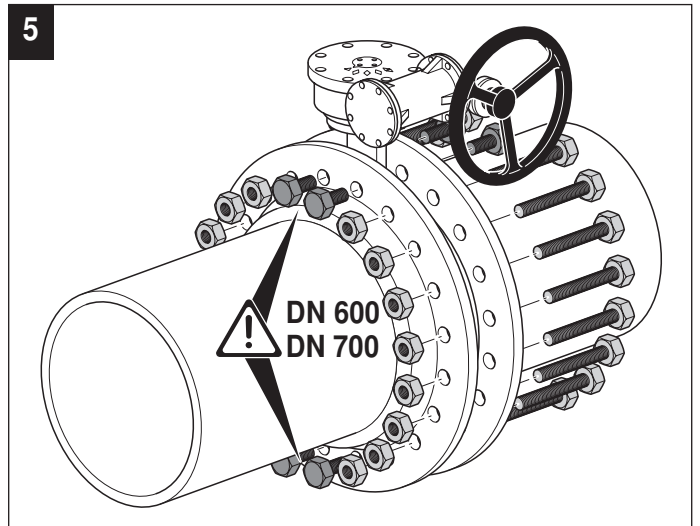
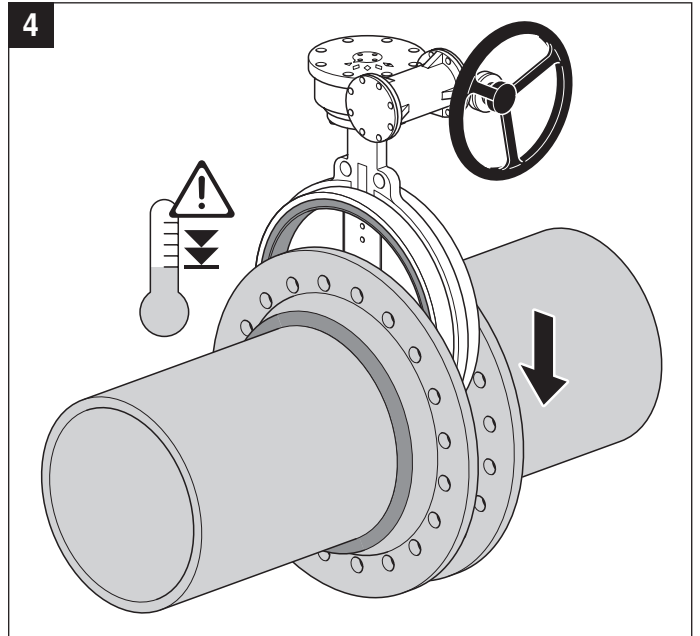
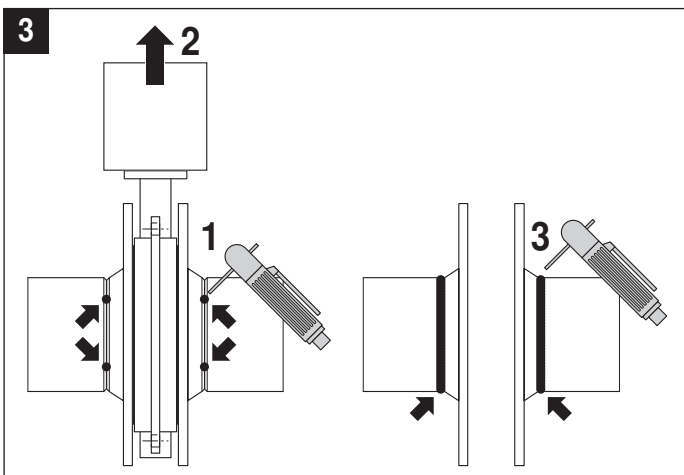
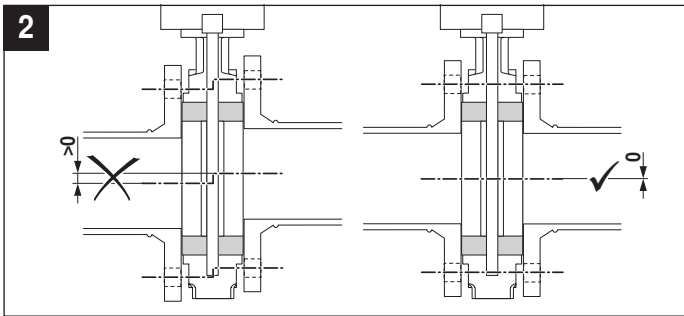
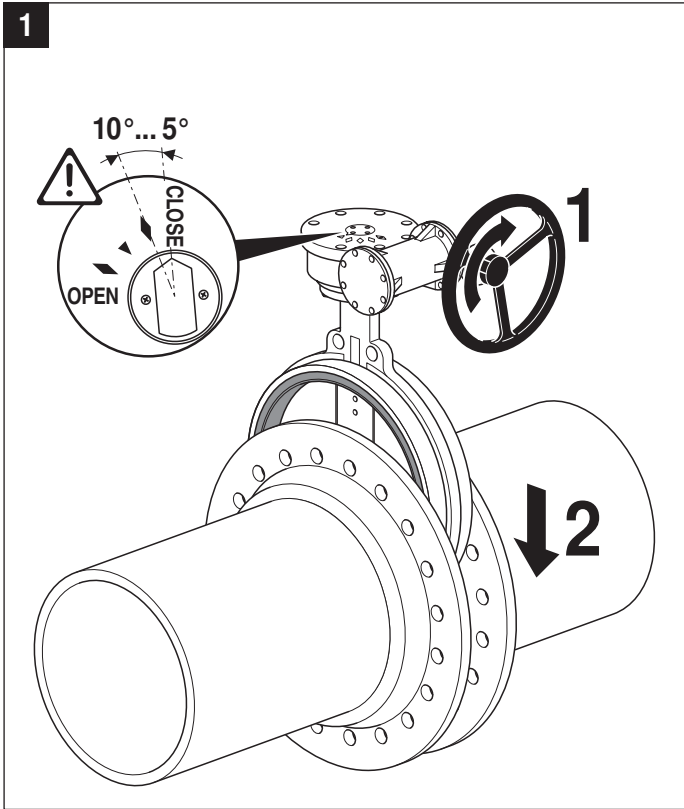
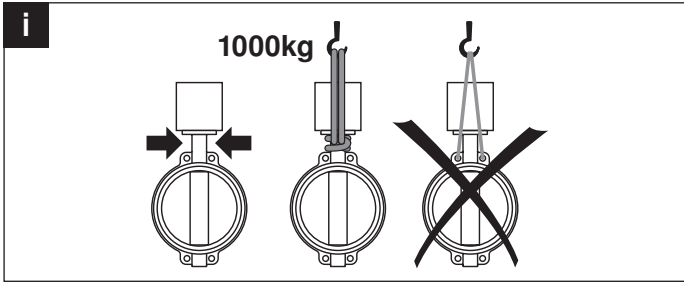


A

B

DN	A	B
DN 400	M27	≤360 Nm
DN 450	M27	≤360 Nm
DN 500	M30	≤510 Nm
DN 600	M33	≤700 Nm
DN 700	M33	≤700 Nm





A

B

DN	A	B
DN 400	M27	≤360 Nm
DN 450	M27	≤360 Nm
DN 500	M30	≤510 Nm
DN 600	M33	≤700 Nm
DN 700	M33	≤700 Nm

