

Large globe valves, 2-way, with PN 16,
DN 200 / DN 250 flange

- For closed cold and warm water systems
- For modulating water-flow control of refrigerating and heat-generating systems



Type listing

Type	k_{vs} [m ³ /h]	DN [mm]	Stroke [mm]	S_v
H6200W630-S7	630	200	65	>50
H6250W1000-S7	1000	250	65	>50

Technical data

Functional data	Media	Cold and low temperature hot water Water with max 50% volume of glycol
	Medium temperature	(-10 °C) +5 °C ... +120 °C (-10 °C on request)
	Authorised pressure p_s	1600 kPa (PN 16)
	Flow characteristic	Control path A – AB: equal percentage (VDI/VDE 2173) $n(g) = 3$
	Rangeability S_v	see «Type listing»
	Leakage rate	Control path A – AB: Leakage Class III (DIN EN 1349 and DIN EN 60534-4)
	Pipe connectors	Flange in accordance with ISO 7005-2 (PN 16)
	Stroke	see «Type listing»
	Closing point	Bottom (▼)
	Installation position	Standing to lying (in relation to the stem)
Maintenance	Maintenance-free	
Materials	Fitting	GG25
	Valve cone	Stainless steel
	Valve stem	Stainless steel
	Seat	Stainless steel
	Stem seal	EPDM ring
Dimensions / weights	Dimensions and weights	See «Dimensions and weights» on page 3
Motorising	see general overview «The complete product range of water solutions»	

Safety notes



- The valve has been designed for use in stationary heating, ventilation and air conditioning systems and is not allowed to be used outside the specified field of application, especially in aircraft or in any other airborne means of transport.
- It may only be installed by suitably trained personnel. Any legal regulations or regulations issued by government agency authorities must be observed during assembly.
- The valve does not contain any parts that can be replaced or repaired by the user.
- The valve may not be disposed of as household refuse. All locally valid regulations and requirements must be observed.
- When determining the flow rate characteristic of controlled devices, the recognised directives must be observed.

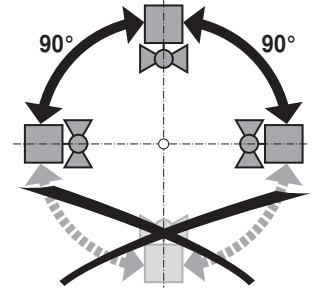
Product features

- Mode of operation** The large globe valve is adjusted by a large stroke actuator of the GV Series. The actuators are controlled by a commercially available modulating or 3-point control system and move the valve cone, which acts as a throttling device, to the opening position dictated by the control signal.
- Flow characteristic** An equal-percentage flow characteristic is produced by the profile of the valve cone.
- Manual operation** The valve stem can be actuated manually with a handwheel on the large stroke actuator GV..

Installation notes

Recommended installation positions

The large globe valve may be mounted in any position from **standing to lying**. It is not permissible to mount the large globe valves with the stem pointing downwards.



Water quality requirements

- The water quality requirements specified in VDI 2035 must be adhered to.
- Large globe valves are regulating devices. The use of **dirt filters** is recommended in order to prolong their service life as modulating instruments.

Maintenance

- Large globe valves and large stroke actuators are maintenance-free.
- Before any kind of service work is carried out on actuator sets of this type, it is essential to isolate the large stroke actuator from the power supply (by unplugging the power lead if required). Any pumps in the part of the piping system concerned must also be switched off and the appropriate isolating fittings closed (allow everything to cool down first if necessary and reduce the pressure in the system to ambient pressure).
- The system must not be returned to service until the large globe valve and the large stroke actuator have been properly reinstalled in accordance with the instructions and the pipeline has been refilled in the proper manner.

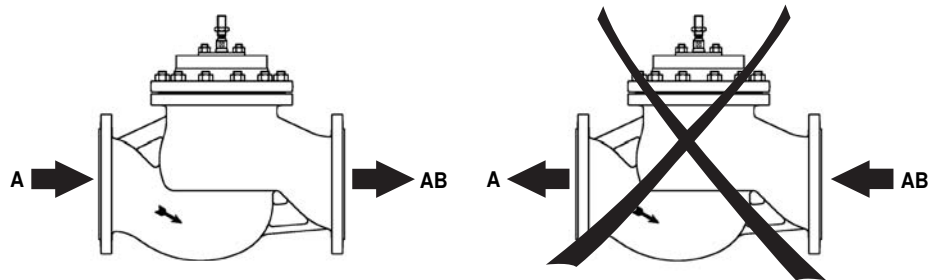
Flow direction

The direction of flow, specified by an arrow on the housing, is to be complied with, since otherwise the large ball valve could be damaged.



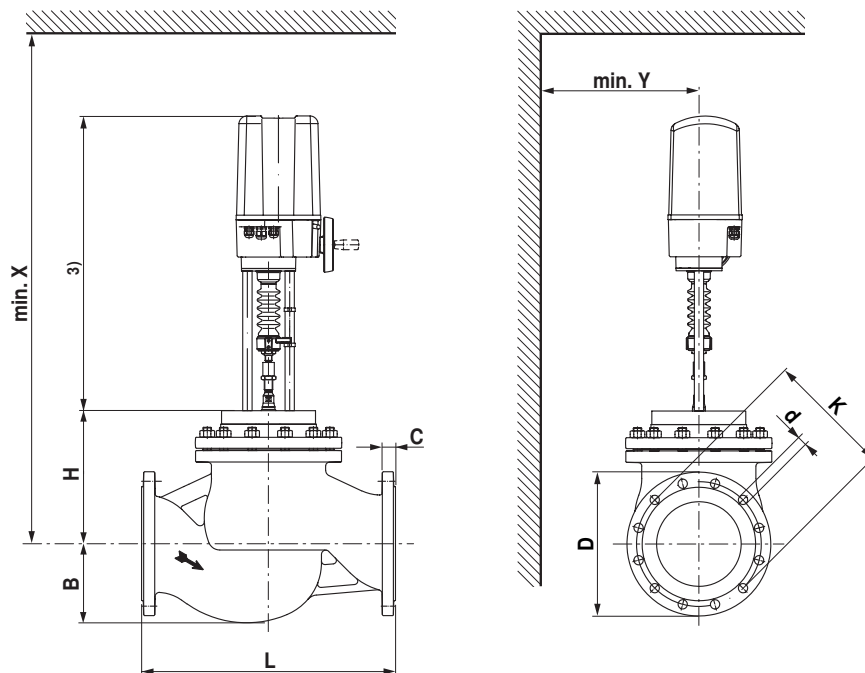
Note

The large globe valves H6..W..S7 can **not** be converted to 3-way valves on the system!



Dimensions and weights

Dimensional drawings



Notes

Large globe valves and large stroke actuators are supplied pre-mounted.

Delivery date!

Valves are fabricated only when orders are received. Typical delivery time is approximately 2 weeks.

DN	L	H	B	D	C	K	d	X ¹⁾	Y ¹⁾	Weight ²⁾
[mm]	[mm]	[mm]	[mm]	[mm]	[mm]	[mm]	[mm]	[mm]	[mm]	[kg]
200	600	315	187	340	30	295	12x22	1210	200	157
250	730	375	233	405	32	355	12x26	1270	250	237

1) Minimum distance with respect to the valve centre with large stroke actuator GV..

2) Weight including GV.. large stroke actuator

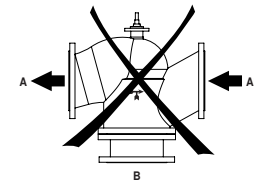
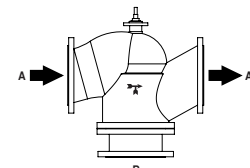
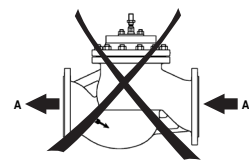
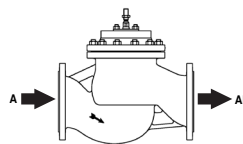
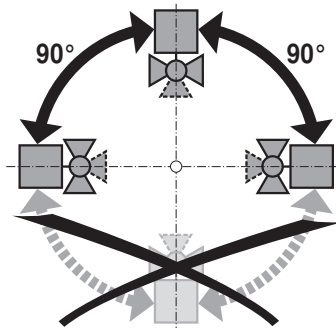
3) The large stroke actuator dimensions can be found on the respective actuator data sheet

Further documentation

- Complete overview «The complete product range of water solutions»
- Data sheets large stroke actuators
- Installation instructions for valves and/or large stroke actuators
- Notes for project planning (hydraulic characteristic curves and circuits, installation regulations, commissioning, maintenance, etc.)

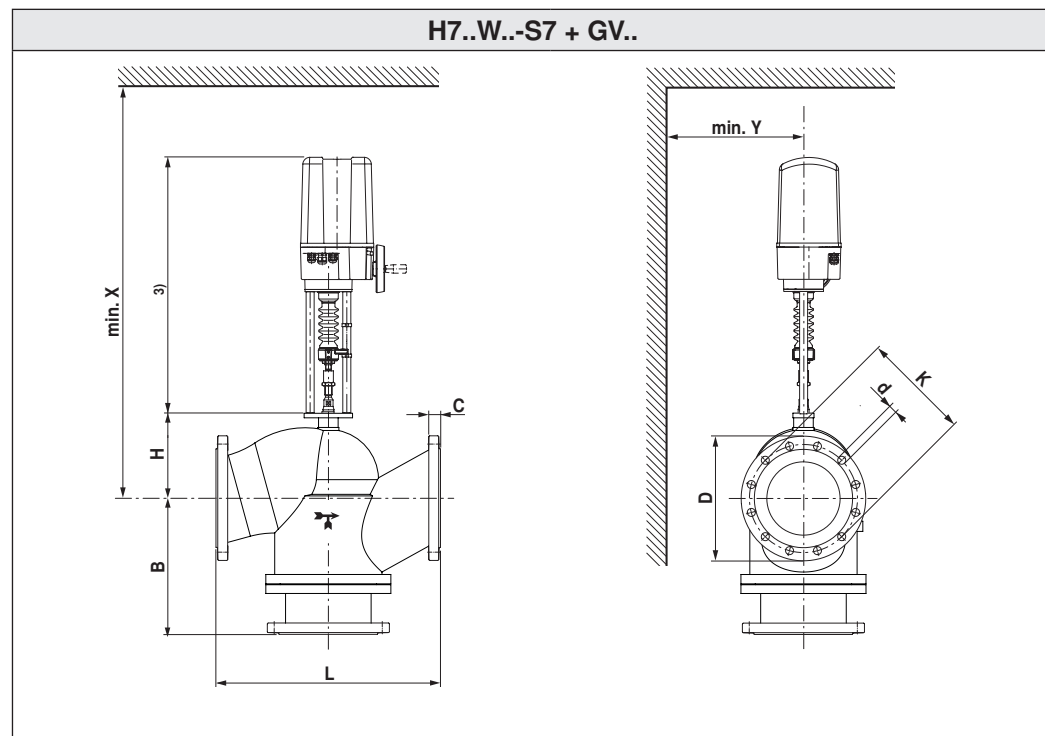
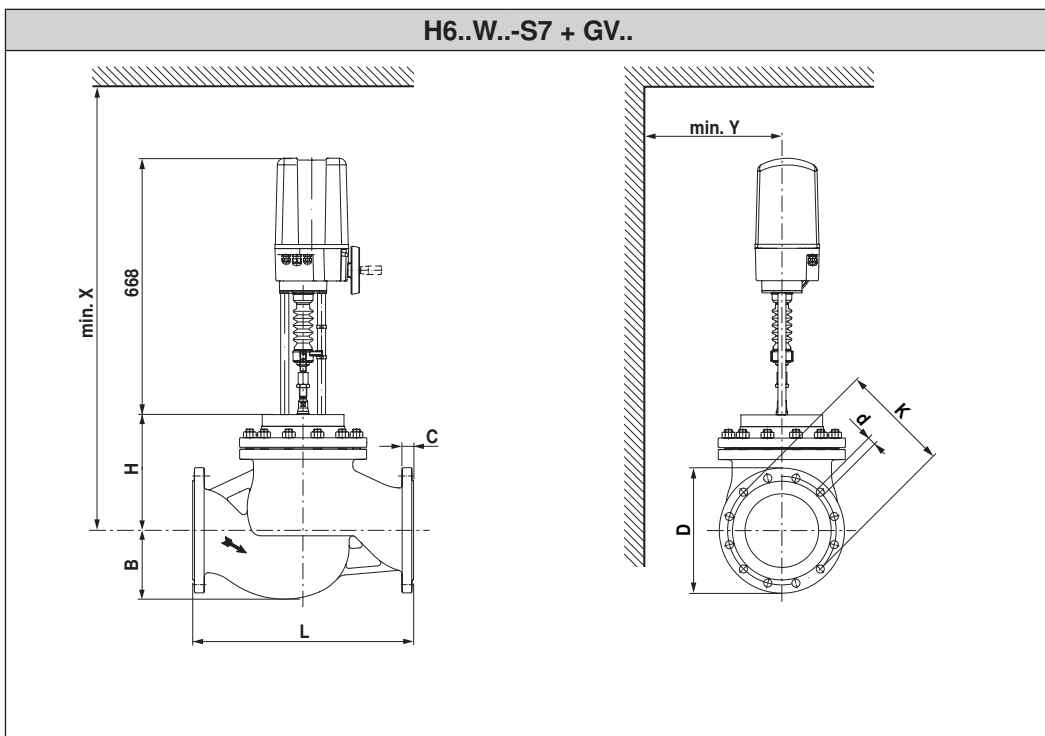
BELIMO

H6..W..-S7
H7..W..-S7



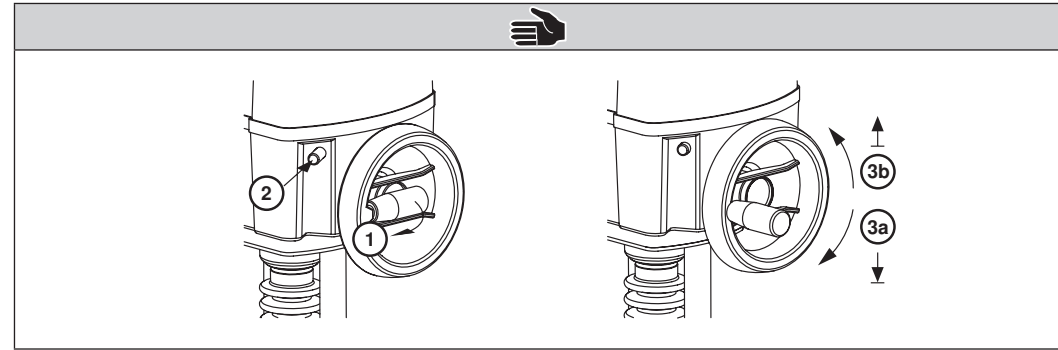
		H6..W..-S7				H7..W..-S7												
$p_s < 1600 \text{ kPa}$ (PN 16) $t = +5^\circ\text{C} \dots +120^\circ\text{C}$																		
Ⓜ	DN		B	H	W		B	H	W	Δp_s	Δp_{max}	L	D	K	d	C	X	Y
	[mm]		[mm]	[mm]	[kg]		[mm]	[mm]	[kg]	[kPa]	[kPa]	[mm]	[mm]	[mm]	[mm]	[mm]	[mm]	[mm]
GV..	200	H6200W630-S7	187	315	156	H7200W630-S7	380	263	173	310	310	600	340	295	12 x 22	30	1210	200
	250	H6250W1000-S7	255	375	239	H7250W1000-S7	440	309	283	190	190	730	405	355	12 x 26	32	1270	250

70994-00001.E

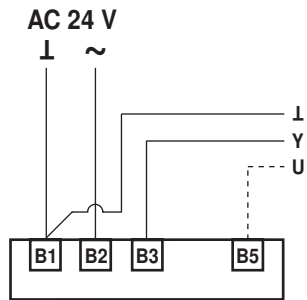
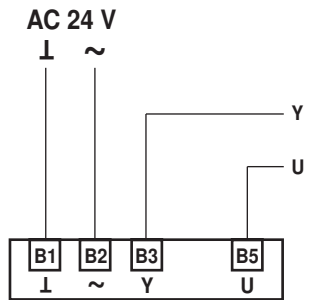




GV12-24-SR-T
GV12-230-3-T

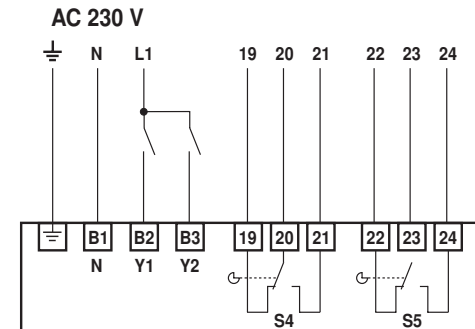


GV12-24-SR-T



			A - AB
Y = 0 / 2 V	↓	↑	0%
Y = 10 V	↑	↓	100%

GV12-230-3-T



		A - AB	A - AB
Y1	↓	0%	100%
Y2	↑	100%	0%