

Modulating globe valve actuator for 2-way and 3-way globe valves

- Actuating force 1000 N
- Nominal voltage AC/DC 24 V
- Control: modulating DC (0) 2 V...10 V
- Nominal stroke 20 mm
- Actuating time 35 s / 20 mm


Technical data

| | | |
|------------------------|--|---|
| Electrical data | Nominal voltage | AC/DC 24 V |
| | Nominal voltage frequency | 50/60 Hz |
| | Nominal voltage range | AC 19.2 V...28.8 V / DC 21.6 V...28.8 V |
| | Power consumption in operation | 3.5 W |
| | Power consumption in rest position | 1.5 W |
| | Power consumption for wire sizing | 5.5 VA |
| | Connection supply / control | Terminals 4 mm ² and cable 1 m, 4 x 0.75 mm ² |
| | Parallel operation | Yes |
| Functional data | Actuating force | 1000 N |
| | Positioning signal Y | DC 0 V...10 V |
| | Positioning signal Y note | Input impedance 100 kΩ |
| | Operating range Y | DC 2 V...10 V |
| | Position feedback U | DC 2 V...10 V |
| | Position feedback U note | max. 0.5 mA |
| | Position accuracy | 5% absolute |
| | Manual override | Gear disengagement with push-button, can be locked |
| | Nominal stroke | 20 mm |
| | Actuating time | 35 s / 20 mm |
| | Sound power level motor max. | 60 dB (A) |
| Position indication | Mechanical 5 ... 20 mm stroke | |
| Safety | Protection class IEC/EN | III Safety extra-low voltage |
| | Degree of protection IEC/EN | IP54 |
| | EMC | CE in accordance with 2004/108/EC |
| | Certification IEC/EN | Certified to: IEC/EN 60730-1 and IEC/EN 60730-2-14 |
| | Mode of operation | Type 1 |
| | Rated impulse voltage supply / control | 0.8 kV |
| | Control pollution degree | 3 |
| | Ambient temperature | 0 °C ... 50 °C |
| | Non-operating temperature | -40 °C ... 80 °C |
| | Ambient humidity | 95% r.h., non-condensing |
| Maintenance | Maintenance-free | |
| Weight | Weight approx. | 1.340 kg |

Safety notes


- This actuator has been designed for application in stationary heating, ventilation and air-conditioning systems and is not allowed to be used outside the specified field of application, especially in aircraft or in any other airborne means of transport.
- Only authorised specialists may carry out installation. All applicable legal or institutional installation regulations must be complied with during installation.
- The switch for changing the direction of motion/the closing point may be adjusted only by authorised personnel. The direction of stroke is critical, particularly in connection with frost protection circuits.
- The device may only be opened at the manufacturer's site. It does not contain any parts that can be replaced or repaired by the user.
- The device contains electrical and electronic components and is not allowed to be disposed of as household refuse. All locally valid regulations and requirements must be observed.

Product features

| | |
|------------------------------------|--|
| Principle of operation | The actuator is connected with a standard modulating signal of DC 0 ... 10V and travels to the position defined by the positioning signal. The measuring voltage U serves for the electrical display of the actuator position 0 ... 100% and as slave control signal for other actuators. |
| Direct mounting | Simple direct mounting on the globe valve by means of form-fit hollow clamping jaws. The actuator can be rotated by 360° on the valve neck. |
| Manual override | Manual override with push-button possible - temporary, permanently. The gear is disengaged and the actuator decoupled for as long as the button is pressed / latched. The stroke can be adjusted by using a hexagon socket screw key (4 mm), which is inserted into the top of the actuator. The stroke spindle extends when the key is rotated clockwise. |
| High functional reliability | The actuator is overload protected, requires no limit switches and automatically stops when the end stop is reached. |
| Combination valve/actuator | Refer to the valve documentation for suitable valves, their permitted medium temperatures and closing pressures. |
| Position indication | The stroke is indicated mechanically on the bracket with tabs. The stroke range adjusts itself automatically during operation. |
| Home position | Setting ex-works: Actuator spindle is retracted. When valve-actuator combinations are shipped, the direction of motion is set in accordance with the closing point of the valve. |
| Direction of stroke switch | When actuated, the direction of stroke switch changes the running direction in normal operation. |
| Adaption of stroke range | The first time the supply voltage is switched on, i.e. at the time of commissioning, the actuator carries out a stroke adaption, which is when the operating range and position feedback adjust themselves to the mechanical stroke. Manual triggering of the adaption can be carried out by pressing the "Adaption" button. The actuator then moves into the position defined by the positioning signal. |

Accessories

| | Description | Type |
|------------------------|-----------------------------------|-------|
| Electrical accessories | Auxiliary switch add-on, 2 x SPDT | S2A-H |

Electrical installation

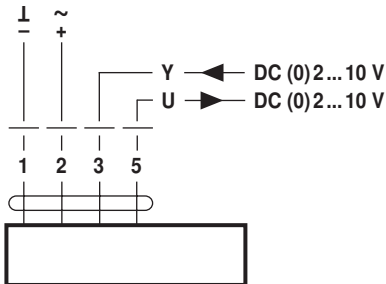


Notes

- Connection via safety isolating transformer.
- Parallel connection of other actuators possible.
- Direction of stroke switch factory setting: Actuator spindle retracted.

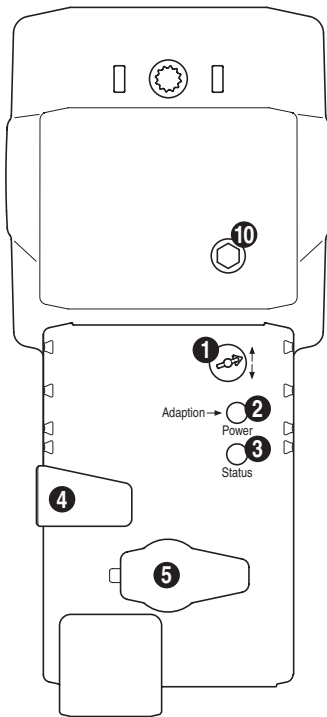
Wiring diagrams

AC/DC 24V, modulating



Cable colours:
 1 = black
 2 = red
 3 = white
 5 = orange

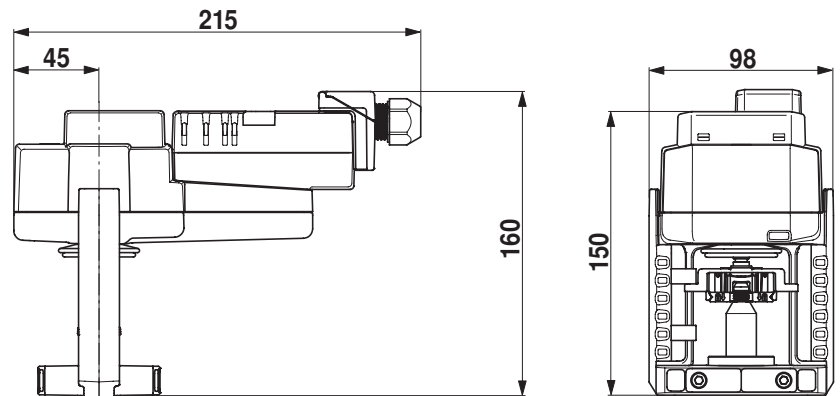
Indicators and operating controls



- (1) Direction of stroke switch**
Switching: Direction of stroke changes
- (2) Push-button and LED display green**
Off: No power supply or malfunction
Illuminated: In operation
Press button: Triggers stroke adaption, followed by standard mode
- (3) LED display yellow**
Off: Standard mode
Illuminated: Adaption procedure active
- (4) Gear disengagement button**
Press button: Gear disengages, motor stops, manual override possible
Release button: Gear engages, standard mode
- (5) Service plug**
No function
- (10) Manual override**
Clockwise: Actuator spindle extends
Counterclockwise: Actuator spindle retracts

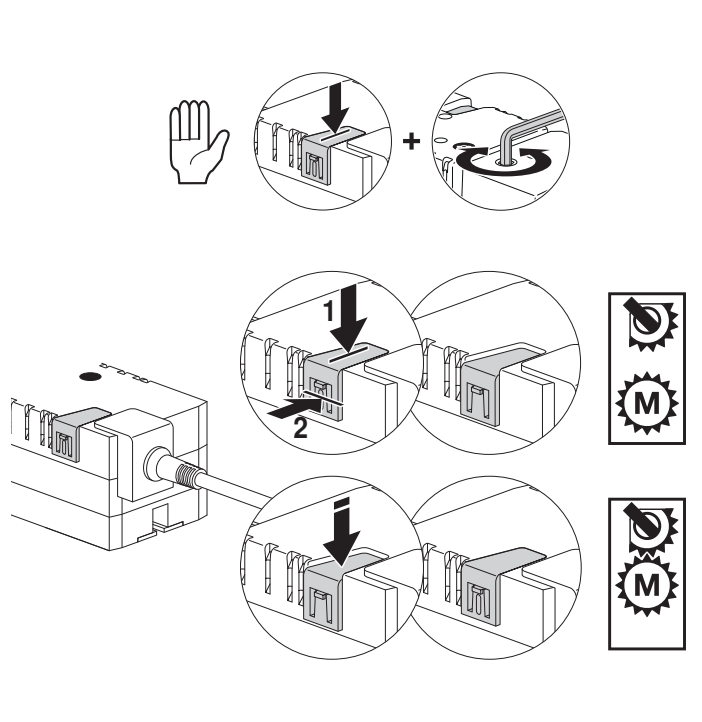
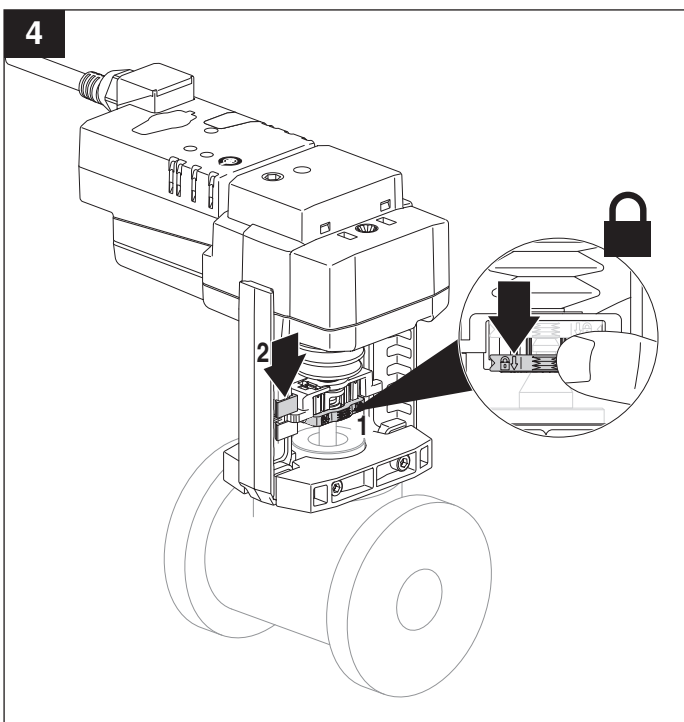
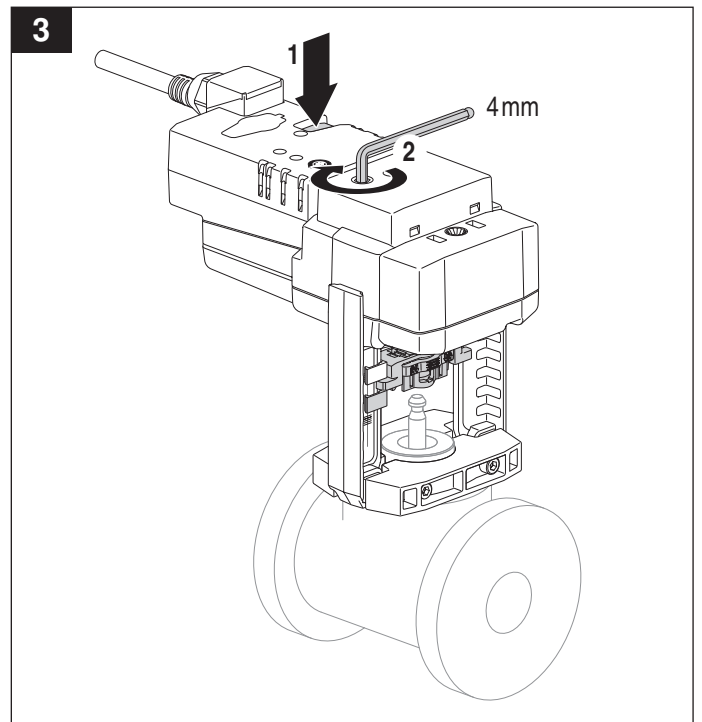
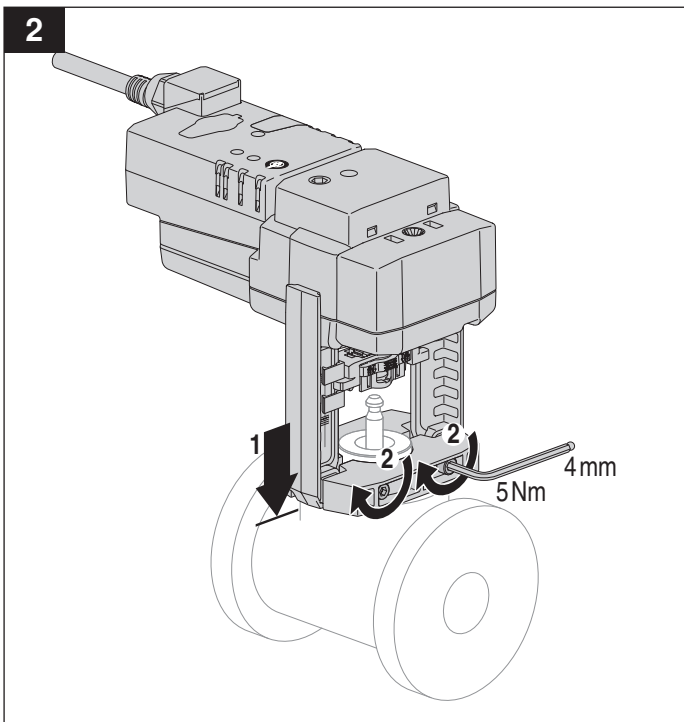
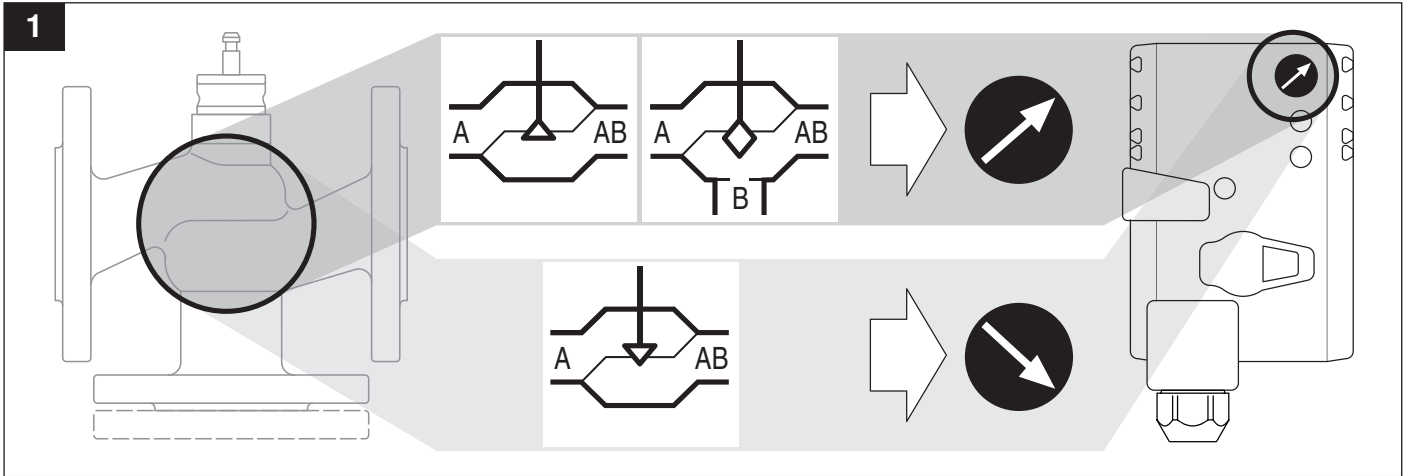
Dimensions [mm]

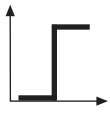
Dimensional drawings



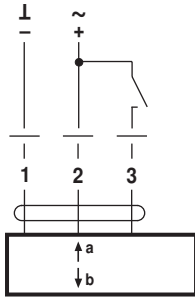
Further documentation

- Data sheets for globe valves
- Installation instructions for actuators and/or globe valves, respectively
- Notes for project planning for 2-way and 3-way globe valves (hydraulic characteristic curves and circuits, design and dimension, installation instructions, etc.)
- Overview "Valve-actuator combinations"



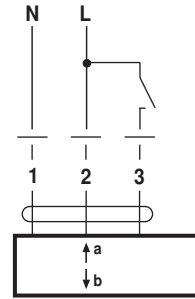


AC 24 V / DC 24 V

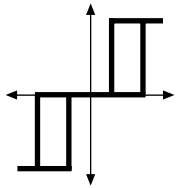


LV(C)24A
NV(C)24A
SV(C)24A

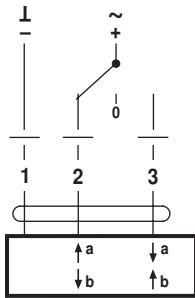
AC 230 V



LV(C)230A
NV(C)230A
SV(C)230A

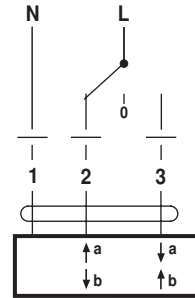


AC 24 V / DC 24 V

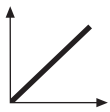


LV(C)24A
NV(C)24A
SV(C)24A

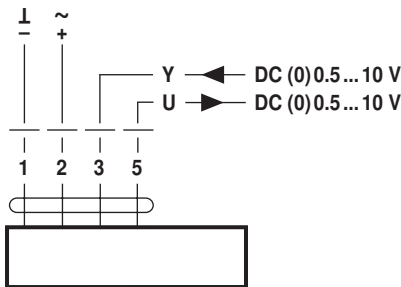
AC 230 V



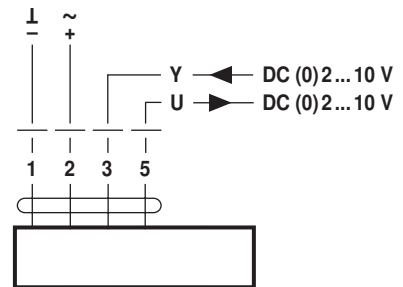
LV(C)230A
NV(C)230A
SV(C)230A



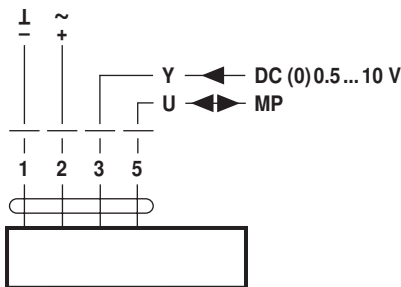
AC 24 V / DC 24 V



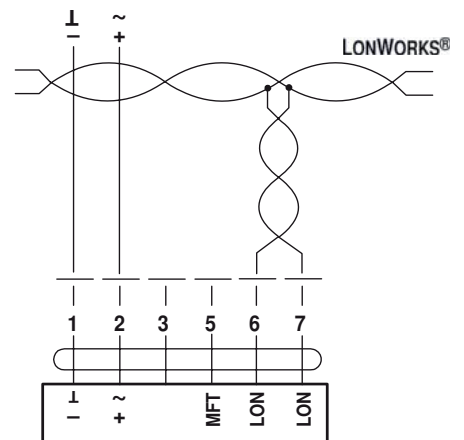
LV(C)24A-SZ LV(C)24A-MF
NV(C)24A-SZ NV(C)24A-MF
SV(C)24A-SZ SV(C)24A-MF



LV(C)24A-SR
NV(C)24A-SR
SV(C)24A-SR



LV(C)24A-MP
NV(C)24A-MP
SV(C)24A-MP



LV24ALON
NV24ALON