



Wireless room temperature controller with large LCD

RDH10RF/SET

Non-programmable, for heating or cooling systems

-
- Large LCD
 - Battery-powered: 2 x alkaline type AA batteries, 1.5 V
 - RCR10/433 receiver

Use

The RDH10RF is used to control the room temperature in heating or cooling systems.

Typical applications:

- Homes
- Residential buildings
- Schools
- Offices

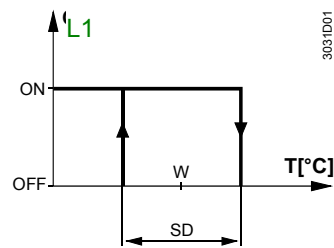
The controller is used together with the following equipment:

- Thermal valves or zone valves
- Combi boilers
- Gas or oil burners
- Fans
- Pumps

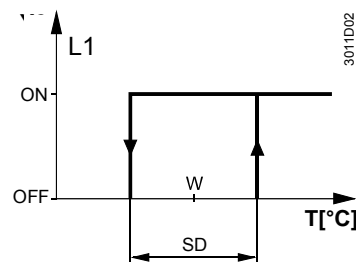
Functions

The controller acquires the room temperature with its integrated sensor.

Function diagram



T Room temperature
SD Switching differential
W Room temperature setpoint
L1 Output signal for heating



T Room temperature
SD Switching differential
W Room temperature setpoint
L1 Output signal for cooling

Temperature sensor

The RDH10RF provides room temperature control only.

Display

The digital display shows the actual room temperature and the comfort temperature setpoint. When the heating output is active, the triangle symbol appears.



Backup

When taking out the batteries, the setpoints and the information required for operating mode changeover are retained for maximum 2 minutes.

Ordering

When ordering, please give name and product number: Room temperature controller RDH10RF/SET.

Valves and actuators are to be ordered as separate items.

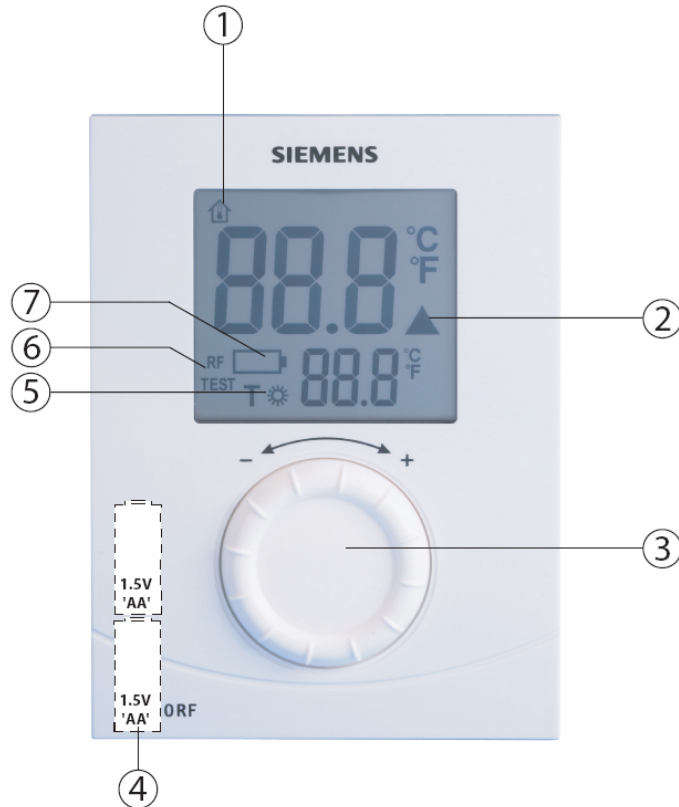
Equipment combinations

Type of unit	Product number	Data sheet
Electromotoric actuator	SFA21...	4863
Electrothermal actuator (for radiator valves)	STA21...	4877
Electrothermal actuator (for small valves 2.5 mm)	STP21...	4878
2- or 3-port zone valve	MXI/MVI421...	4867
Electromotoric actuator for zone valves V..146..	SUA21	4830
Electric actuator	SUA11/22	4832
Air damper actuator	GDB...	4624
Air damper actuator	GSD/GQD...	4606
Air damper actuator	GXD...	4622

The controller consists of 4 parts:

- Plastic housing with digital display accommodating the electronics, operating elements and built-in room temperature sensor
- Baseplate (mounting base)
- Removable battery compartment
- Fold-out stand

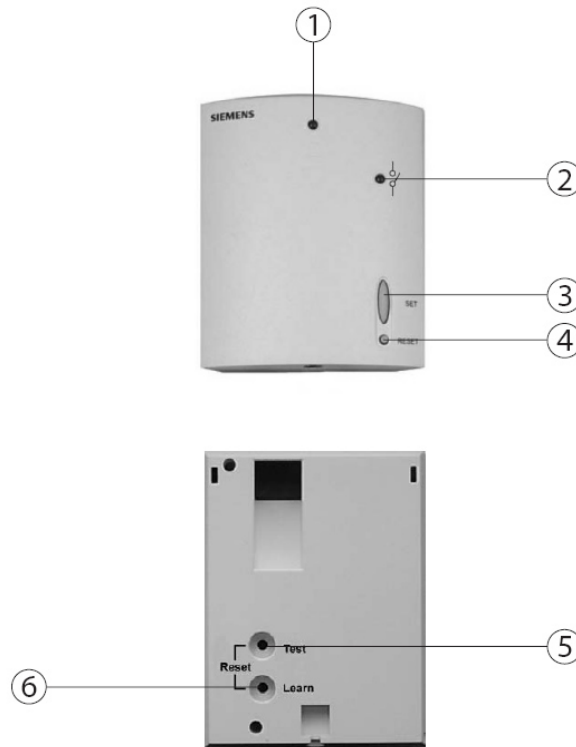
The housing engages in the baseplate and snaps on. The baseplate carries the screw terminals. There is a reset button on the rear of the unit.



Key

- 1 Display of the room temperature in °C
- 2 Indicates a request for heat
- 3 Temperature setting knob
- 4 Battery compartment
- 5 Comfort temperature setpoint
- 6 **RF TEST** Indicates RF signal test
- 7 Indicates low battery power; replace batteries

The RCR10/433 receiver is located in a plastic housing with LEDs and buttons.



Key

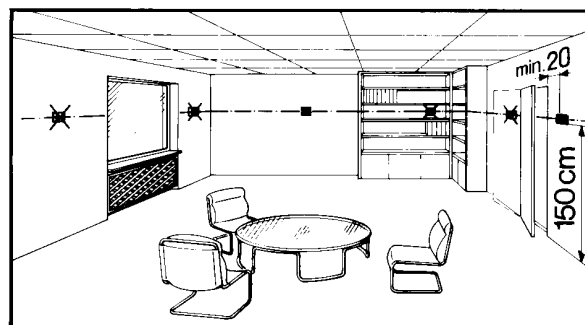
- 1 LED signal indicator
- 2 LED relay indicator
- 3 SET button
- 4 RESET button
- 5 Test button
- 6 Learn button

Notes

Mount the room temperature controller in a location where the air temperature can be acquired as accurately as possible without getting adversely affected by direct solar radiation or other heat or refrigeration sources.

The controller can also be used in a portable manner. It features a fold-out stand allowing it to be placed on a horizontal surface such as a bedside table.

Mounting height is about 1.5 m above the floor.



The unit can be fitted to a recessed conduit box.

Mounting, installation and commissioning

When mounting the controller, fix the baseplate first. The receiver does not require a baseplate. Make the electrical connections and fit and secure the receiver (also refer to the separate mounting instructions).

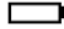
Mount the controller on a flat wall and in compliance with local regulations.

If there are thermostatic radiator valves in the reference room, set them to their fully open position.

Maintenance

Controller and receiver are maintenance-free.

Change of batteries

If battery symbol  appears, the batteries are almost exhausted and must be replaced.

Reset

To reset the controller, press both the Test and Learn buttons on the rear of the unit.

To reset the receiver, press the RESET button on the unit front.

All individual settings are then reset to their default values.

Technical data

Power supply	Operating voltage	DC 3 V (2 x 1.5 V AA alkaline batteries)
	Battery life	>1 year (AA alkaline batteries)
Sensor inputs	Internal:	
	Thermistor	10 kΩ ± 1% at 25 °C
Operational data	Switching differential SD	1 K
	Setpoint setting range	5...30 °C
	Factory setting comfort setpoint	20 °C
	Resolution of settings and displays	
	Setpoints	0.5 °C
Environmental conditions	Actual value displays	0.5 °C
	Operation	IEC 721-3-3
	Climatic conditions	Class 3K5
	Temperature	0...+40 °C
	Humidity	<90% r.h.
	Transport	IEC 721-3-2
	Climatic conditions	Class 2K3
	Temperature	-25...+60 °C
	Humidity	<95% r.h.
	Mechanical conditions	Class 2M2
Storage	IEC 721-3-1	
Climatic conditions	Class 1K3	
Temperature	-10...+60 °C	
Humidity	<90% r. h.	

Standards

CE conformity to

EMC directive	2004/108/EC
Low-voltage directive	2006/95/EC
Radio equipment	1999/5/EC

C-tick conformity to

Test standards and requirements	EN 61000-6-3, AS/NZS 4251.1: 1999
Test standards for radio equipment	AS/NZS 4268: 2003

Product safety

Automatic electrical controls for household and similar use	EN 60 730-1 and EN 60 730-2-9
Information technology equipment - Safety - General Requirements	EN 60950-1
Generic standards - Compliance to lower power electronic apparatus	EN 50371-1
Electromagnetic compatibility and radio spectrum matters—Short range devices	EN 300220-3 V1.1.1
Electromagnetic compatibility and radio spectrum matters – EMC	EN 301489-3 V1.4.1

Safety class	III as per EN 60950-1
--------------	-----------------------

Pollution degree	2
------------------	---

Degree of protection of housing	IP20
---------------------------------	------

General

Weight (incl. package)	
------------------------	--

RDH10RF/SET	515 g
-------------	-------

Color of housing front	Signal-white RAL 9003
------------------------	-----------------------

Housing material	ABS (LCD lens: PC)
------------------	--------------------

Receiver RCR10/433**General unit data**

Operating voltage	AC 230 V +10/-15%
-------------------	-------------------

Power	<10 VA
-------	--------

Frequency	50...60 Hz
-----------	------------

Switching capacity of relays	
------------------------------	--

Voltage	AC 24...250 V
---------	---------------

Current	8 (3) A
---------	---------

Outputs

Relay contacts	
----------------	--

Switching voltage	Max. AC 250 V
-------------------	---------------

	Min. AC 24 V
--	--------------

Switching current	Max. 8 A res., 3 A ind.
-------------------	-------------------------

At 250 V	Min. 200 mA
----------	-------------

Contact life at AC 250 V	Guide value:
--------------------------	--------------

At 5 A res.	1 x 10 ⁵ cycles
-------------	----------------------------

Insulating strength	
---------------------	--

Between relay contacts and coil	AC 5,000 V
---------------------------------	------------

Between relay contacts (same pole)	AC 2,500 V
------------------------------------	------------

Electrical connections

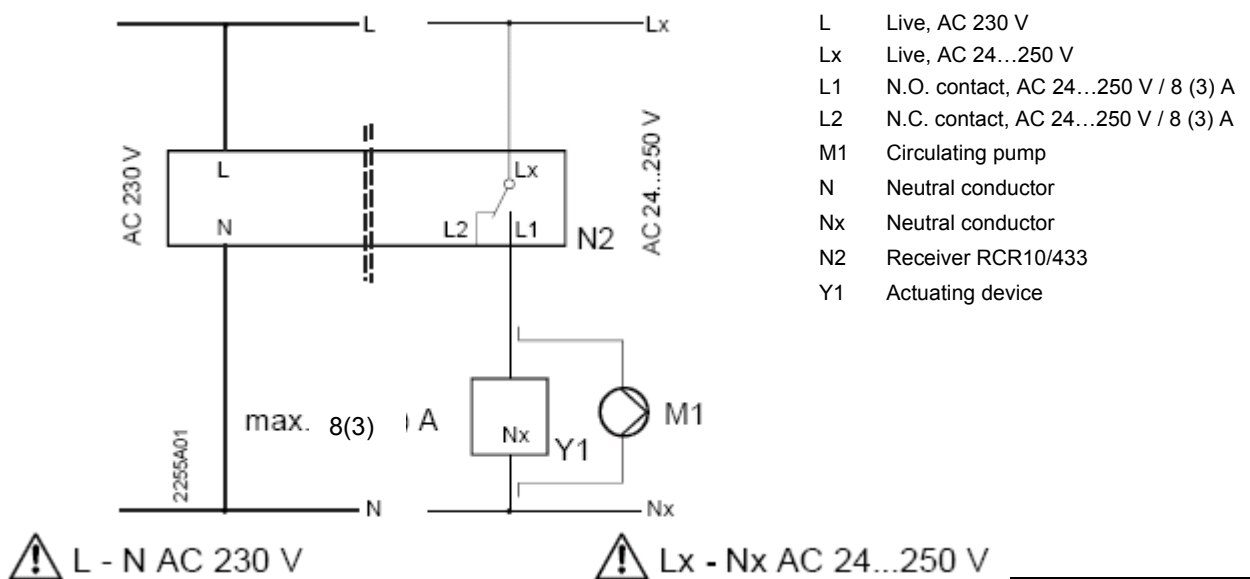
Connection terminals	Screw terminals
----------------------	-----------------

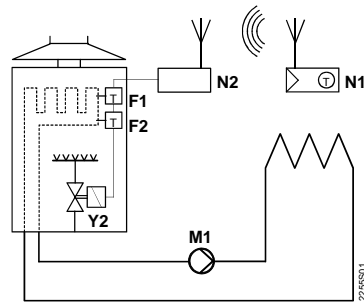
For solid wires	2 x 1.5 mm ²
-----------------	-------------------------

For stranded wires	1 x 2.5 mm ² (min. 0.5 mm ²)
--------------------	---

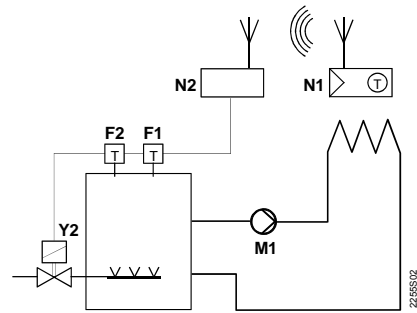
Environmental conditions	Operation	IEC 60 721-3
	Climatic conditions	Class 3K3
	Temperature	0...+45 °C
	Humidity	<85% r.h.
	Storage and transport	IEC 60 721-3
	Climatic conditions	Class 2K3
	Temperature	-25...+70 °C
	Humidity	<93% r.h.
	Mechanical conditions	Class 2M2
	Standards	CE conformity
EMC directives		2004/108/EC
Low-voltage directives		2006/95/EC
Radio equipment		1999/5/EC
Product safety		
Automatic electrical controls for household and similar use		EN 60 730-1 and EN 60 730-2-9
Information technology equipment - Safety - General Requirements		EN 60950-1
Generic standards - Compliance to lower power electronic apparatus		EN 50371-1
Electromagnetic compatibility and radio spectrum matters—Short range devices		EN 300220-3 V1.1.1
Electromagnetic compatibility and radio spectrum matters – EMC		EN 301489-3 V1.4.1
Approval		CE
In the following countries		All ECC countries, Norway, Iceland and Switzerland
Safety class		II as per EN 60 730
Degree of pollution		2
Color		
Unit front	Signal-white RAL 9003	
Base	Gray RAL 7035	
Dimensions	83x104x32 mm	

Connection diagram

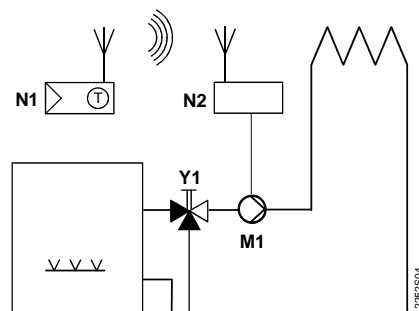




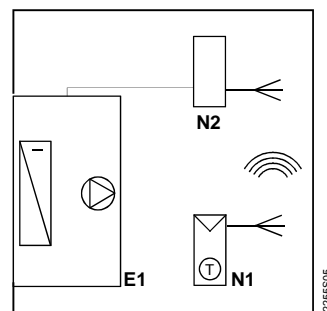
Wireless room temperature controller with receiver control of a gas-fired wall-hung boiler



Wireless room temperature controller with receiver control of atmospheric gas burner



Wireless room temperature controller with receiver control of a heating circuit pump (precontrol by manual mixing valve)



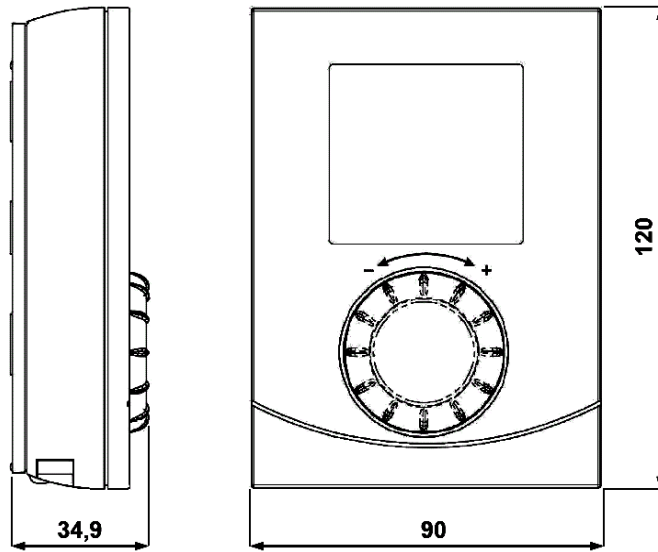
Wireless room temperature controller with receiver control of cooling equipment

- F1 Thermal reset limit thermostat
- F2 Safety limit thermostat
- M1 Circulating pump

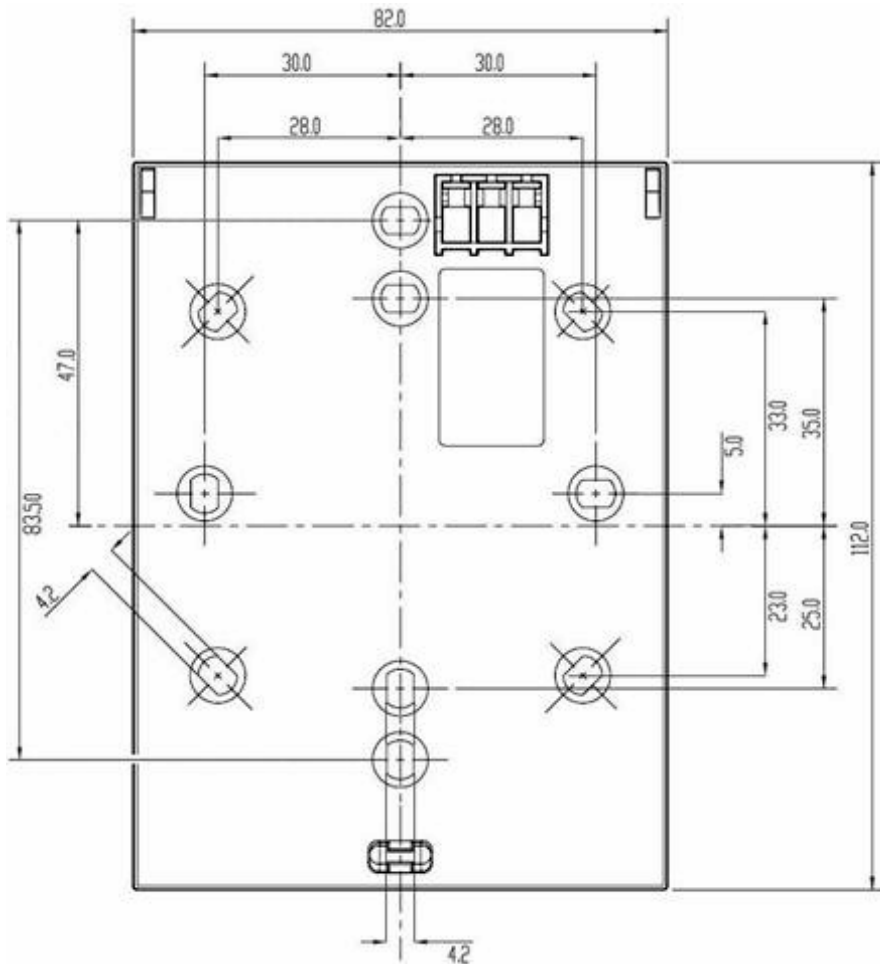
- E1 Cooling equipment
- N1 Room temperature controller RDH10RF
- N2 Receiver RCR10/433
- Y1 3-port valve with manual adjustment
- Y2 Magnetic valve

Dimensions

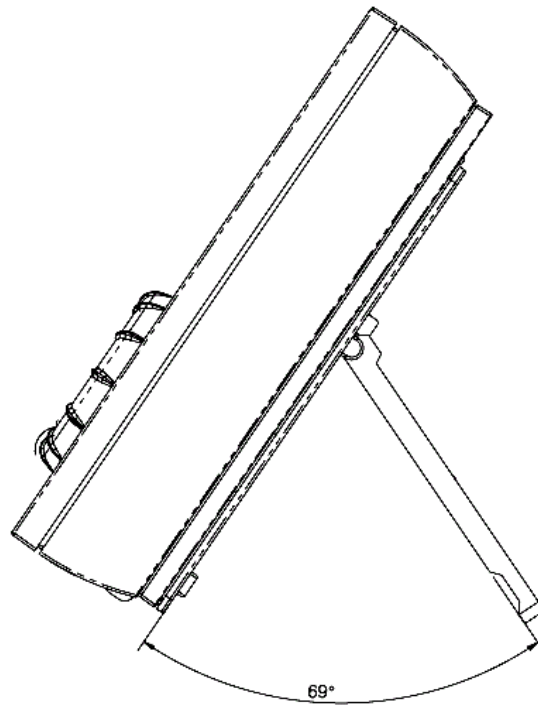
Room temperature controller



Baseplate



With fold-out stand



Receiver

