



ISO 9001
CE



Actuators

SQM45... SQM48...

for air dampers and control valves of oil and gas burners

Electromotoric actuators

- **Torques:**
 - SQM45... up to 3 Nm
 - SQM48... up to 20 Nm
 - SQM48.6... up to 35 Nm
- **Running times: ¹⁾**
 - SQM45... 10 ... 120 s
 - SQM48... 30 ... 120 s
 - SQM48.6... 60 ... 120 s

¹⁾ Depending on the basic unit (LMV...)
- **Versions:**
 - Choice of drive shafts (refer to «Type summary»)

The SQM45... / SQM48... and this Data Sheet are intended for use by OEMs which integrate the actuators in their products!

Use

The actuators of the SQM45... / SQM48... range are used to drive gas dampers, air dampers, oil control valves and other ancillary equipment.

When used in connection with burner controls or electronic fuel / air ratio control, the associated controlling elements are controlled depending on burner output.

Warning notes



To avoid injury to persons, damage to property or the environment, the following warning notes should be observed!

Do not open, interfere with or modify the actuators!

- Ensure protection against electric shock hazard by providing adequate protection for the connection terminals
- Check to ensure that wiring is in an orderly state and that the wires are firmly connected

Mounting notes

- Ensure that the relevant national safety regulations are complied with
- The connection between actuator drive shaft and controlling element must be **rigid** with **no mechanical play**

Positive connection



Possible connection with drive shaft or hub:

- Groove with Woodruff key
- Drive shaft with flat edge and matching counterpiece

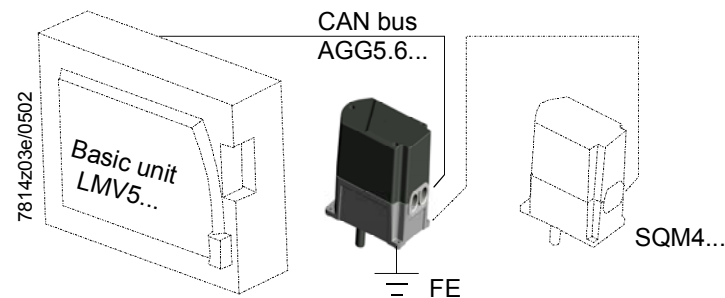
To avoid inadmissible loads on bearings caused by rigid hubs, it is recommended to use compensating clutches with no mechanical play (e.g. metal bellows clutches).

Cable and cable shielding



Only the specified cable may be used (refer to Basic Documentation P7550). The cable's shielding must be connected to the printed circuit board using the tab provided.

Ensure that the actuator's housing is connected to functional earth (FE) of the system. If necessary, remove isolating layers of paint from the fixing points on the burner's casing or run separate earth wires. For detailed information, refer to «Installation Instructions for the LMV5x system» J7550.1.



Working range of actuator

The working range is given on the type field and must be observed when mounting the actuator. To ensure the actuator is accurately located on the burner, a positioning pin of 6 mm diameter must be fitted on the mounting surface.

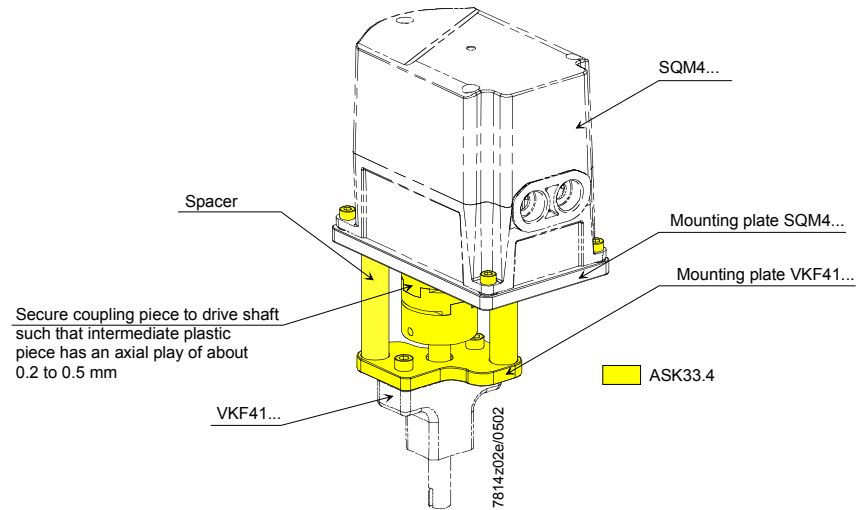
IP 54

To ensure **degree of protection IP 54**, suitable Pg glands must be fitted in the actuator's Pg11 openings.

The Pg glands used must feature cable strain relief.

To ensure degree of protection IP 54 during the actuator's entire service life, the bearing of the drive shaft must be located such that it will not be directly exposed to water or dust.

Mounting example



Installation notes

- Installation work must be carried out by qualified staff
- Always run the high-voltage ignition cables separate from the unit and other cables while observing the greatest possible distance
- To ensure protection against electric shock hazard, make certain that the AC 230 V section of the SQM4... is strictly segregated from the functional low-voltage section
- The holding torque is reduced when the actuator's power supply is switched off

Housing cover



The housing cover may only be removed for short periods of time for wiring or when making the addressing. It must be made certain that dust or dirt will not get inside the actuator while such work is carried out.

ESD



The actuator contains a printed circuit board with ESD-sensitive components.

The top side of the board carries a cover which affords protection against direct contact. This protective cover may **not** be removed! The underside side of the board may not be touched.

Addressing

Addressing (assignment of functions) defines whether the SQM4... shall operate as a

- fuel actuator
- air damper actuator, or
- auxiliary actuator,

and is made with the display and operating unit AZL... and the addressing button on the actuator, which is located under the housing cover (refer to Basic Documentation P7550).

The correct assignment of actuator functions can be checked with the help of flashing LEDs.

Cable length
Topology

For the maximum permissible cable length, refer to the Basic Documentation.
Cabling must be strictly serial (**no branching permitted!**).

Commissioning notes

- Commissioning work must be carried out by qualified staff

Standards

Conformity to EEC directives	
- Electromagnetic compatibility EMC (immunity)	89 / 336 EEC
- Low-voltage directive	73 / 23 EEC

Service notes

- Maintenance work must be carried out by qualified staff
- Each time an actuator has been replaced, check to ensure that wiring is in an orderly state and that the wires are firmly connected

Replacement	When replacing an actuator, the following points must be checked and, if necessary, corrected: <ul style="list-style-type: none">• Addressing (assignment of functions)• Bus termination• Adjustment of the curvepoints of electronic fuel / air ratio control (e.g. with the LMV51...)
-------------	---

Disposal notes



The actuator contains electrical and electronic components and may not be disposed of together with household waste.
Local and currently valid legislation must be observed.

Mechanical design

Housing	The housing is made of die-cast aluminium. The cover is made of impact-proof and heat-resistant plastic. Color of cover: Black
Actuator	Stepper motor
Adjustment of switching points / position indication	In connection with the basic unit (e.g. LMV51...): Via the display and operating unit AZL5X (refer to Basic Documentation P7550).
Electrical connections	RAST3.5 terminals (supplied together with the AGG5.720 / AGG5.721).
Geartrain	SQM45...: Spur gears made of plastic with small backlash and permanent lubrication. SQM48...: Spur gears made of steel with small backlash and permanent lubrication.
Drive shaft	Made of black-finished steel, ready fitted to the front of the geartrain (SQM48... uses a drive shaft made of hardened steel).
Mounting and fixing	The front of the geartrain is used as the mounting surface. The actuator has 4 fixing holes and 1 elongated hole for the positioning pin. Alternatively, the actuator can be secured from the side of the controlling element with 3 self-tapping screws.

Type summary

Actuators SQM4...

Type reference	Drive shaft 1) no.	Running time (min.) for 90° s	Nominal torque (max.) Nm	Holding torque 2) (max.) Nm	Radial bearing force (max.) N
SQM45.291A9	1	10	3 3)	1.5	190
SQM45.295A9	5	10	3 3)	1.5	190
SQM48.497A9	7	30	20 4)	20	420
SQM48.697A9	7	60	35 4)	35	800

Legend

- | | | | |
|----|---|----|---|
| 1) | Refer to «Dimensions» | 4) | Under nominal conditions. Under extreme conditions |
| 2) | With operating voltage applied | | (above +50 °C ambient temperature), the torque is about |
| 3) | Under nominal conditions. Under extreme conditions
(below -15 °C ambient temperature), the available torque
is about 15 % lower | | 15 % lower |

Ordering

When ordering, please give type references of actuator and accessories according to «Type summary».

In addition to the actuator, the following item is to be ordered **separately** and is also supplied as a separate item:

- Shielded cable
- Special terminals RAST3.5 as part of the AGG5.720 / AGG5.721 set

Accessories

Accessories must be ordered as separate items.



Adapter for gas valves VKF41...C

ASK33.4

Connecting cables

AGG5.6...

- **Only the specified cables may be used!**
- Refer to Basic Documentation P7550

Technical data

Actuator	Operating voltage	AC 2 x 12 V via bus cable from the basic unit or via a separate transformer
	Safety class	extra low-voltage with safe isolation from mains voltage
	Power consumption	
	- SQM45...	9...15 VA
	- SQM48...	26...34 VA
	On time	50 %, max. 3 min. continuously
	Angular adjustment	max. 90°
	Mounting position	optional
	Degree of protection	to EN 60 529, IP 54, provided adequate cable entries are used
	Cable entry	SQM45... / SQM48...: insertable threaded cable glands for 2 x Pg11
	Electrical connections	RAST3.5 terminals (for details, refer to the basic unit)
	Ferrules	matching the dia. of the stranded wire
	Direction of rotation	can be selected on the basic unit
	Torques and holding torques	refer to «Type summary»
	Reproducibility (typically in the show-room condition)	± 0.2° (when used with the basic unit LMV51...)
	Running times	refer to «Type summary» (can be selected on the basic unit)
	Load changes with continuous heavy loads	
	- SQM45... / SQM48.497	typically 500,000
	- SQM48.697	typically 300,000
	Weight	
- SQM45...	approx. 1 kg	
- SQM48...	approx. 1.6 kg	
Direction of rotation (when facing the shaft)		
- Standard	counterclockwise	
- Reverse	clockwise	
Environment conditions	Transport	DIN EN 60 721-3-2
	Climatic conditions	class 2K2
	Mechanical conditions	class 2M2
	Temperature range	-20...+70 °C
	Humidity	< 95 % r.h.
	Operation	DIN EN 60 721-3-3
	Climatic conditions	class 3K5
	Mechanical conditions	class 3M2
	Temperature range	-20...+60 °C
	Humidity	< 95 % r.h.



Condensation, formation of ice and ingress of water are not permitted!

Function

The SQM45... / SQM48... are of robust design and have a geartrain with only small backlash.

Control and position feedback take place via a bus system (CAN).

The bus cable is also used for powering the actuators.

The actuators are driven by stepper motors and can be positioned with a resolution of 0.1°.

The characteristics and settings (running time, direction of rotation, limit positions) of the SQM4... are determined by the controlling basic unit (e.g. LMV5...; for details, refer to the Basic Documentation of the LMV...).

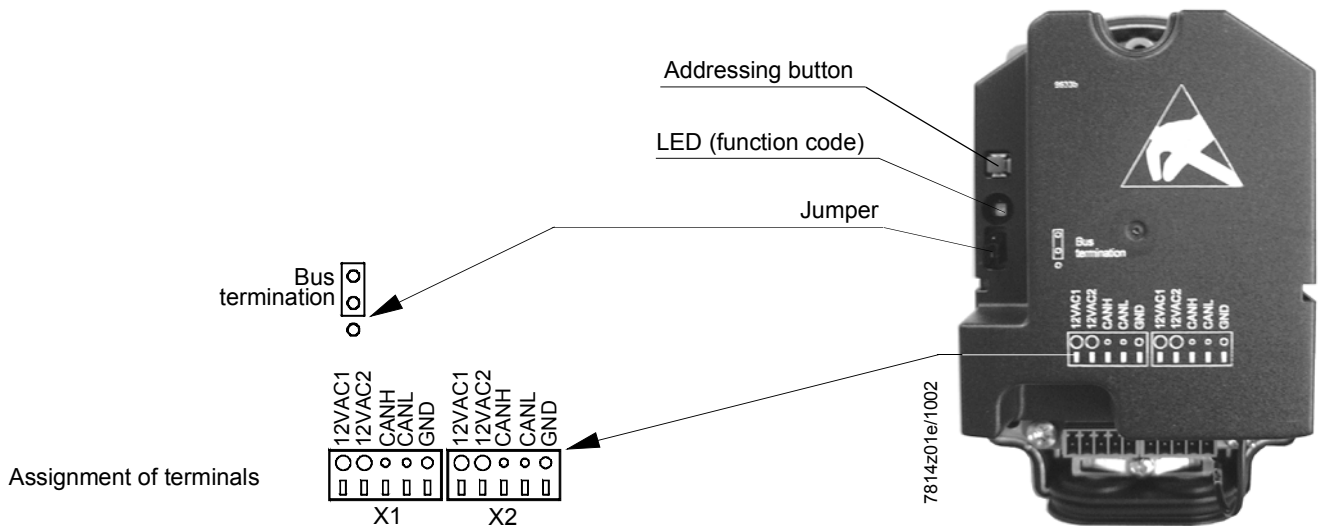
The running times of the associated controlling elements are varied by the basic unit depending on the burner's control phase (e.g. startup phase: short running time; operation: long running time).

Terminating resistor

At the end of the serial bus cabling, a terminating resistor must be fitted.

For that purpose, a jumper must be set to BUS TERMINATION on the last actuator of the bus cable, which will activate the resistor.

On all the other actuators, that jumper must be set to the other position (deactivated).



The 2 terminal blocks (X1 and X2) are identical.

