

Globe valve actuator for 2-way and 3-way globe valves

- Actuating force 1500 N
- Nominal voltage AC/DC 24V
- Control: Open-close, 3-point
- Nominal stroke 20 mm


**Technical data**

|  |                                    |   |
|--|------------------------------------|---|
| <b>Electrical data</b>                 | Nominal voltage                    | AC/DC 24V   |
|  | Nominal voltage frequency          | 50/60 Hz  |
|  | Nominal voltage range              | AC 19.2...28.8V / DC 21.6...28.8V                                   |
|  | Power consumption in operation     | 3 W   |
|  | Power consumption in rest position | 0.5 W   |
|  | Power consumption for wire sizing  | 5 VA  |
|  | Connection supply / control        | Terminals 4 mm <sup>2</sup> and cable 1 m, 3 x 0.75 mm <sup>2</sup> |
|  | Parallel operation                 | Yes   |
| <b>Functional data</b>                 | Actuating force                    | 1500 N  |
|  | Manual override                    | Gear disengagement with push-button, can be locked                  |
|  | Nominal stroke                     | 20 mm   |
|  | Actuating time                     | 150 s / 20 mm   |
|  | Sound power level motor max.       | 35 dB (A)   |
|  | Position indication                | Mechanical 5 ... 20 mm stroke                                       |
|  | <b>Safety</b>                      | Protection class IEC/EN   |
| Degree of protection IEC/EN            |                                    | IP54  |
| EMC                                    |                                    | CE in accordance with 2004/108/EC                                   |
| Certification IEC/EN                   |                                    | Certified to: IEC/EN 60730-1 and IEC/EN 60730-2-14                  |
| Mode of operation                      |                                    | Type 1  |
| Rated impulse voltage supply / control |                                    | 0.8 kV  |
| Control pollution degree               |                                    | 3   |
| Ambient temperature                    |                                    | 0°C ... 50°C  |
| Non-operating temperature              |                                    | -40°C ... 80°C  |
| Ambient humidity                       |                                    | 95% r.h., non-condensing  |
| Maintenance                            | Maintenance-free                   |   |
| <b>Weight</b>                          | Weight approx.                     | 1.340 kg  |

**Safety notes**


- This actuator has been designed for application in stationary heating, ventilation and air-conditioning systems and is not allowed to be used outside the specified field of application, especially in aircraft or in any other airborne means of transport.
- Only authorised specialists may carry out installation. All applicable legal or institutional installation regulations must be complied with during installation.
- The switch for changing the direction of motion/the closing point may be adjusted only by authorised personnel. The direction of stroke is critical, particularly in connection with frost protection circuits.
- The device may only be opened at the manufacturer's site. It does not contain any parts that can be replaced or repaired by the user.
- The device contains electrical and electronic components and is not allowed to be disposed of as household refuse. All locally valid regulations and requirements must be observed.

## Product features

|                                    |  |
|------------------------------------|--|
| <b>Direct mounting</b>             | Simple direct mounting on the globe valve by means of form-fit hollow clamping jaws. The actuator can be rotated by 360° on the valve neck.  |
| <b>Manual override</b>             | Manual control with pushbutton possible - temporary, permanently. The gear is disengaged and the actuator decoupled for as long as the button is pressed / latched. The stroke can be adjusted by using a hexagon socket screw key (4 mm), which is inserted into the top of the actuator. The stroke spindle extends when the key is rotated clockwise. |
| <b>High functional reliability</b> | The actuator is overload protected, requires no limit switches and automatically stops when the end stop is reached.   |
| <b>Combination valve/actuator</b>  | Refer to the valve documentation for suitable valves, their permitted medium temperatures and closing pressures.   |
| <b>Position indication</b>         | The stroke is indicated mechanically on the bracket with tabs. The stroke range adjusts itself automatically during operation.   |
| <b>Home position</b>               | Setting ex-works: Actuator spindle is retracted.<br>When valve-actuator combinations are shipped, the direction of motion is set in accordance with the closing point of the valve.  |
| <b>Direction of stroke switch</b>  | When actuated, the direction of stroke switch changes the running direction in normal operation.   |

## Accessories

|                        | Description      | Type  |
|------------------------|------------------|-------|
| Electrical accessories | Auxiliary switch | S2A-H |

## Electrical installation

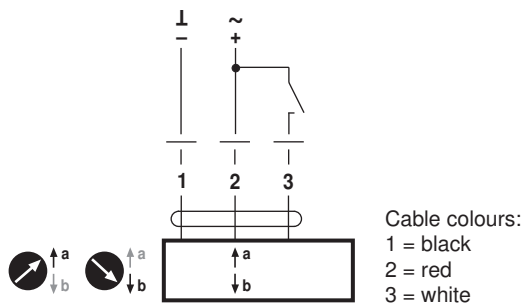


### Notes

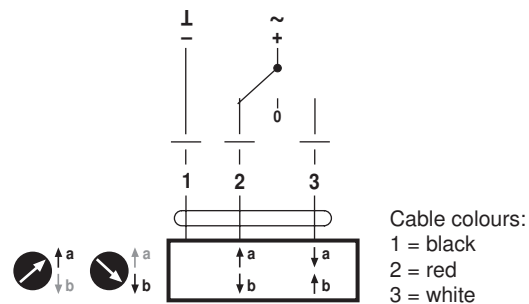
- Connection via safety isolating transformer.
- Parallel connection of other actuators possible.
- Direction of stroke switch factory setting: Actuator spindle retracted.

## Wiring diagrams

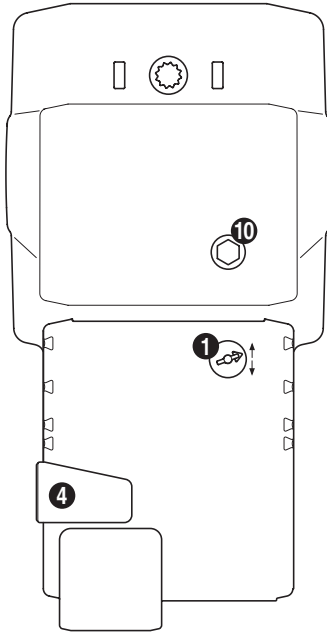
### AC/DC 24 V, open-close (one-wire)



### AC/DC 24 V, 3-point



### Operating controls and indicators



#### (1) Direction of stroke switch

Switching: Direction of stroke changes

#### (4) Gear disengagement button

Press button: Gear disengages, motor stops, manual override possible

Release button: Gear engages, standard mode

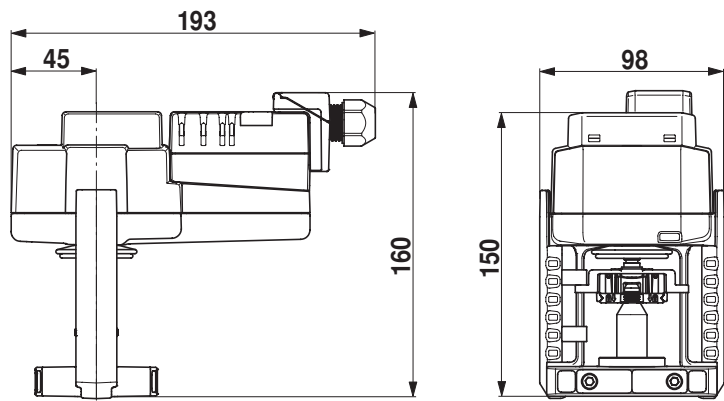
#### (10) Manual override

Clockwise: Actuator spindle extends

Counterclockwise: Actuator spindle retracts

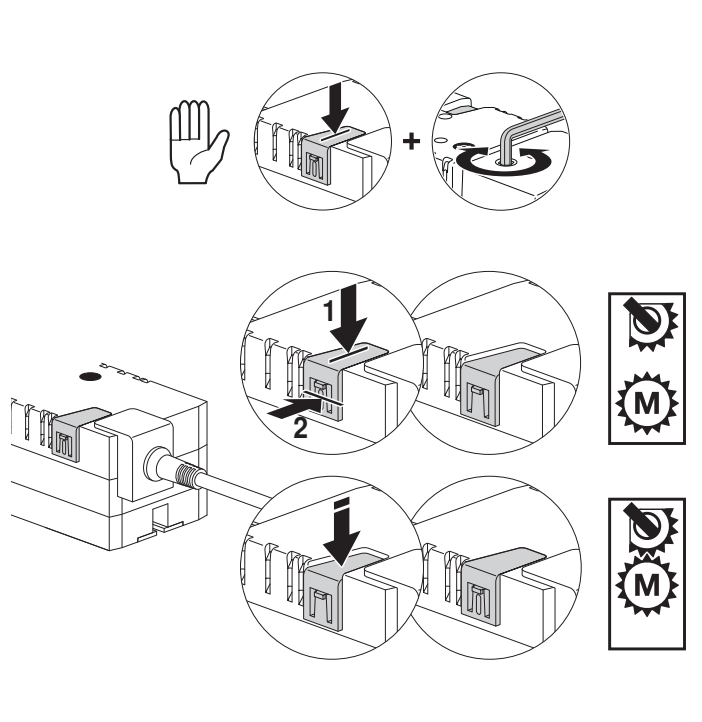
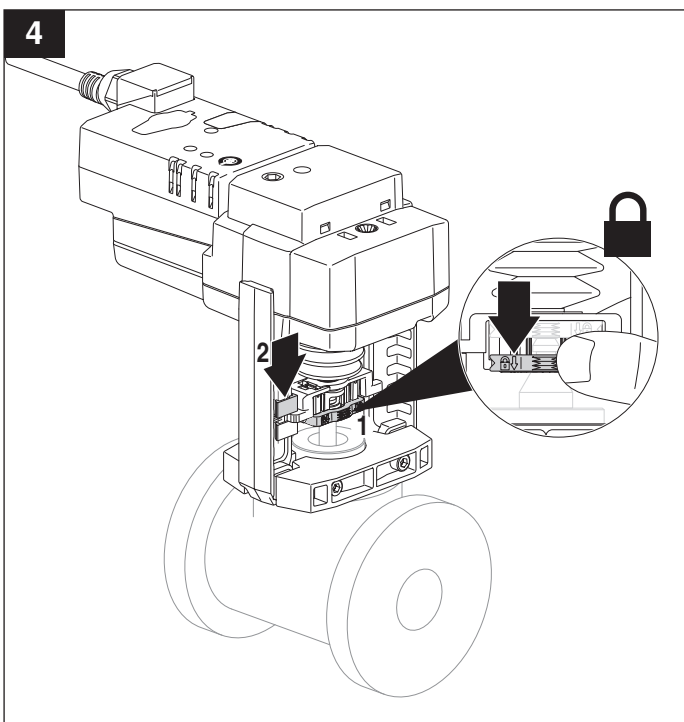
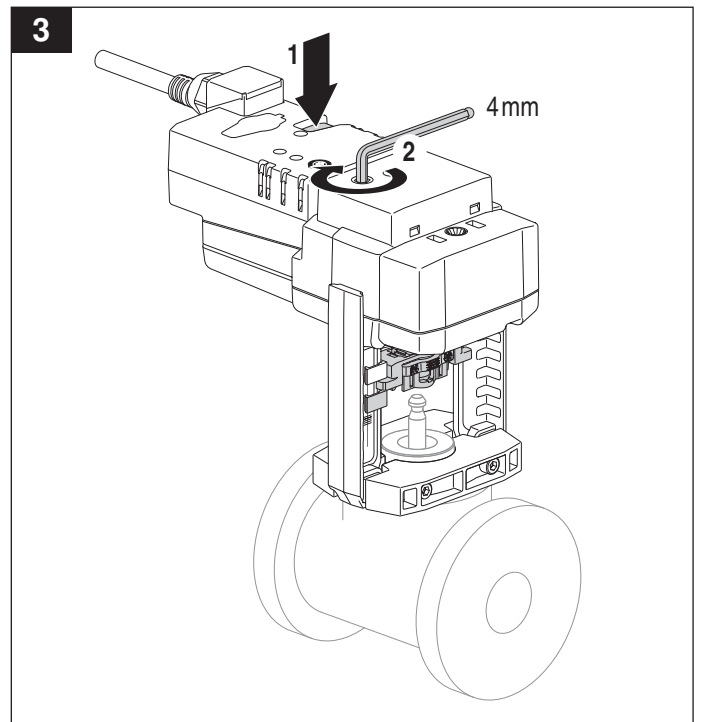
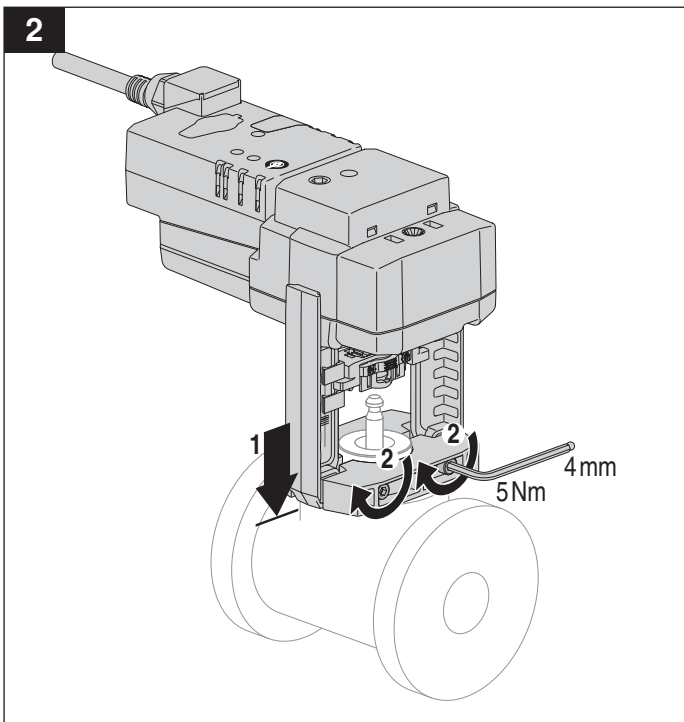
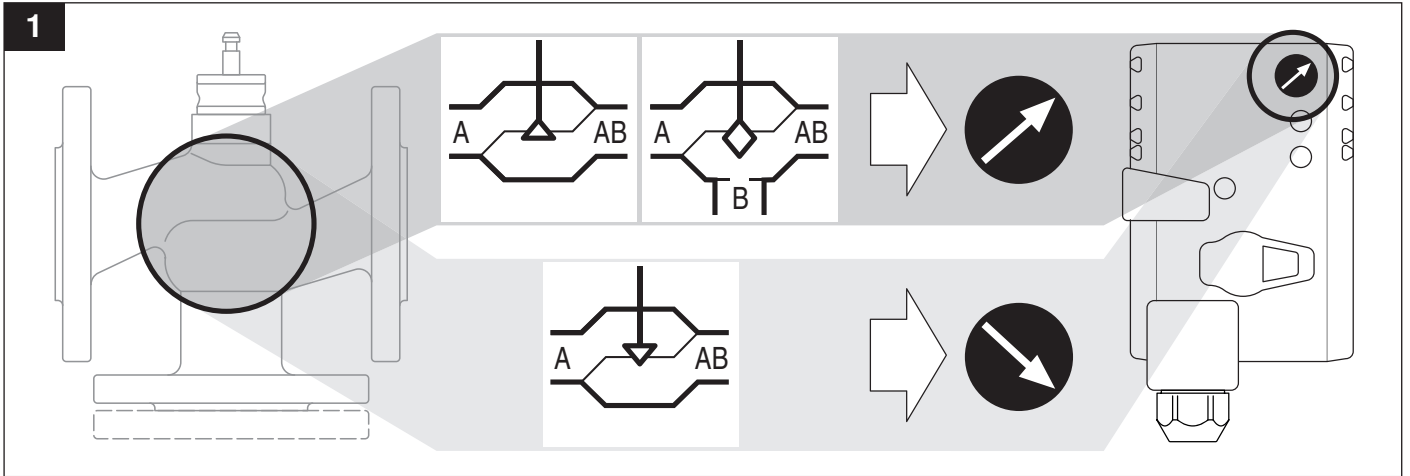
### Dimensions [mm]

#### Dimensional drawings



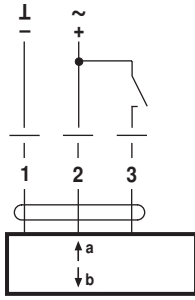
### Further documentation

- Data sheets for globe valves
- Installation instructions for actuators and/or globe valves, respectively
- Notes for project planning for 2-way and 3-way globe valves (hydraulic characteristic curves and circuits, design and dimension, installation instructions, etc.)
- Overview "Valve-actuator combinations"





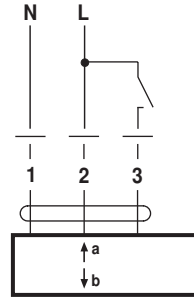
AC 24 V / DC 24 V



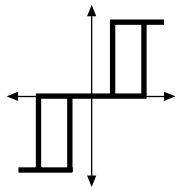
LV(C)24A  
NV(C)24A  
SV(C)24A



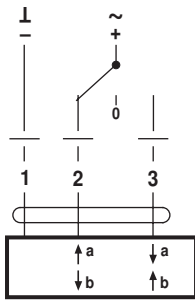
AC 230 V



LV(C)230A  
NV(C)230A  
SV(C)230A



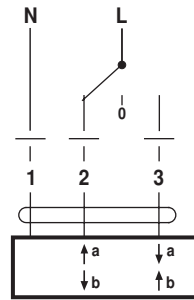
AC 24 V / DC 24 V



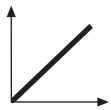
LV(C)24A  
NV(C)24A  
SV(C)24A



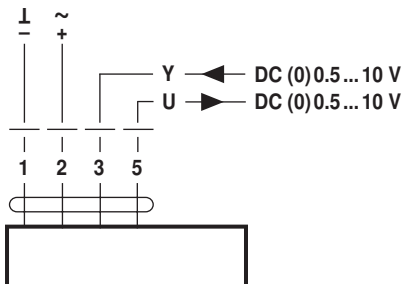
AC 230 V



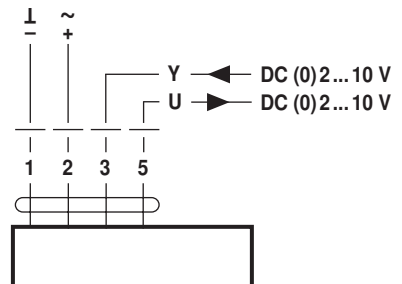
LV(C)230A  
NV(C)230A  
SV(C)230A



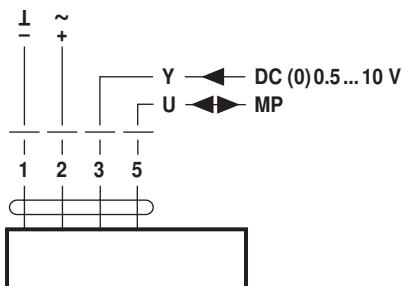
AC 24 V / DC 24 V



LV(C)24A-SZ    LV(C)24A-MF  
NV(C)24A-SZ    NV(C)24A-MF  
SV(C)24A-SZ    SV(C)24A-MF



LV(C)24A-SR  
NV(C)24A-SR  
SV(C)24A-SR



LV(C)24A-MP  
NV(C)24A-MP  
SV(C)24A-MP